



22L ENGINE

PM KITS 22L

PM KIT	PART NUMBER	DESCRIPTION	QTY
1	661022	STANDARD PM KIT	1
2	661023	STANDARD PM KIT W/SPARK PLUGS	1
3	661024	PM KIT - GENERAL	1
4	661038	PM KIT - TOP END	1
5	661039	PM KIT - OVERHAUL	1

SERVICE KITS 22L

SERVICE KIT	PART NUMBER	DESCRIPTION	14L	NOTES
A	600222	COMPLETE GAKSET KIT	1	PER ENGINE
B	660012	LINER KIT	1	PER CYLINDER
C	660022	TOP GASKET KIT	1	PER ENGINE
D	660010	CYLINDER HEAD KIT	6	PER CYLINDER



**POWER SOLUTIONS
INTERNATIONAL**

**PM KIT 1
STANDARD PM KIT
PART NUMBER - 661022**

PART NUMBER	DESCRIPTION	QTY	PAGE
610882	OIL FILTER	2	
610789	VALVE COVER GASKET	12	



**POWER SOLUTIONS
INTERNATIONAL**

**SERVICE KIT 2
STANDARD PM KIT W/ SPARK PLUGS
PART NUMBER - 661023**

PART NUMBER	DESCRIPTION	QTY	PAGE
610882	OIL FILTER	2	
610789	VALVE COVER GASKET	12	
610344	SPARK PLUGS	12	



**PM KIT 3
PM KIT - GENERAL
PART NUMBER - 661024**

PART NUMBER	DESCRIPTION	QTY	PAGE
610882	OIL FILTER	2	
610344	SPARK PLUGS	12	
53000008	IGNITION COIL BOOTS	12	
32500662	THROTTLE BODY	2	
32500715	THROTTLE BODY GASKET	2	
53000021	BELT	1	
107127	CCV FILTER	1	
610789	VALVE COVER GASKET	12	
32501267	O2 SENSOR	2	



**PM KIT 4
PM KIT - TOP END KIT
PART NUMBER - 661038**

PART NUMBER	DESCRIPTION	QTY	PAGE
610882	OIL FILTER	2	
610344	SPARK PLUGS	12	
53000041	IGNITION COIL W/ BOOTS	12	
32500662	THROTTLE BODY	2	
32500715	THROTTLE BODY GASKET	2	
53000021	ALTERNATOR BELT	1	
107127	CCV FILTER	1	
32501267	O2 SENSOR	2	
610941	WATER PUMP	1	
610960	WATER PUMP GASKET	1	
612500	THERMOSTAT	3	
610262	THERMOSTAT GASKET	3	
610261	THERMOSTAT O-RING	3	
660010	CYLINDER HEAD KIT	12	
660022	TOP GASKET KIT	1	

**OPTIONAL PARTS NOT INCLUDED IN KIT
PURCHASE SEPERATELY AS NEEDED**

PART NUMBER	DESCRIPTION
53000017	ALTERNATOR
5250001	TURBO CHARGER
38080463	EPR / MIXER KIT
33500774	AIR FILTER



**PM KIT 5
PM KIT - OVERHAUL KIT
PART NUMBER - 661039**

PART NUMBER	DESCRIPTION	QTY	PAGE
610882	OIL FILTER	2	
610344	SPARK PLUGS	12	
53000041	IGNITION COIL W/ BOOTS	12	
32500662	THROTTLE BODY	2	
53000021	BELT	1	
107127	CCV FILTER	1	
32501267	O2 SENSOR	2	
610941	WATER PUMP	1	
610854	OIL PUMP	1	
600180	COMPLETE GASKET KIT	1	
660012	LINER KIT	12	
660010	CYLINDER HEAD KIT	12	

**OPTIONAL PARTS NOT INCLUDED IN KIT
PURCHASE SEPERATELY AS NEEDED**

PART NUMBER	DESCRIPTION
53000017	ALTERNATOR
5250001	TURBO CHARGER
38080463	EPR / MIXER KIT
610886	OIL COOLER
33500774	AIR FILTER



**KIT A
COMPLETE GASKET KIT
PART NUMBER - 600222**

IMAGE	PART NUMBER	DESCRIPTION	QTY	PAGE
28	611127	O-RING, CLYINDER LINER	24	
29	611132	O-RING, CLYINDER LINER	12	
30	611131	O-RING, CLYINDER LINER	12	
34	611138	GASKET	12	
2	610705	OIL SEAL	1	
5	610718	GASKET, FLYWHEEL HOUSING	1	
6	610719	GASKET, FLYWHEEL HOUSING	1	
11	610715	GASKET, FW HOUSING COVER	1	
17 & 18	611031	GASKET	2	
2	610706	OIL SEAL	1	
3	610721	GASKET	1	
12	610535	GASKET, CYLINDER HEAD	12	
9	610789	GASKET, VALVE COVER	12	
8	610917	GASKET	1	
12	610912	GASKET, OIL FILTER	1	
3	610911	GASKET, OIL COOLER	1	
4	611137	GASKET, FLANGE	4	
10	610914	GASKET, OIL COOLER	1	
26	610916	GASKET	1	
2	610920	GASKET, OIL PAN	1	
15	611136	GASKET	2	
2	610965	GASKET	1	
20	611135	GASKET	1	
29	610526	GASKET, WATER PIPE	2	
32	610964	GASKET, WATER PIPE	1	
59	610916	GASKET	2	
2	610261	O-RING, THERMOSTAT	3	
3	610262	GASKET, THERMOSTAT	3	
16	610960	GASKET, WATER PUMP	1	
4	610987	GASKET, EXHAUST MANIFOLD	12	
22	610557	GASKET, EXHAUST MANIFOLD	4	
24	610479	O-RING	16	
2	610992	GASKET, INTAKE MANIFOLD	12	
18	610993	GASKET, INTAKE MANIFOLD	2	
2	32500715	GASKET, THROTTLE BODY	2	
25	53500035	GASKET,	2	
4	611214	GASKET	2	
NO IMAGE	610993	GASKET	2	
NO IMAGE	33500805	CATALYST GASKET	4	
NO IMAGE	106613	OIL DRAIN GASKET	2	
NO IMAGE	106614	TURBO GASKET	2	



**KIT B
LINER KIT - PER CYLINDER
PART NUMBER - 660012**

IMAGE	PART NUMBER	DESCRIPTION	QTY	PAGE
27	610691	CYLINDER LINER	1	
7	610746	CONNECTING ROD BEARING	1	
8	610747	CONNECTING ROD BEARING	1	
1	610751	PISTON	1	
2	610760	TOP RING	1	
3	610758	2ND RING	1	
4	610763	OIL RING	1	
5	610757	PISTON PIN	1	
8	611095	SNAP RING	2	



**KIT C
TOP GASKET KIT—PER ENGINE
PART NUMBER - 660022**

IMAGE	PART NUMBER	DESCRIPTION	QTY	PAGE
14	610535	CYLINDER HEAD GASKET	12	
9	610789	VALVE COVER GASKET	12	
29	610526	WATER PIPE GASKET	2	
4	610987	EXHAUST MANIFOLD GASKET	12	
2	610992	INTAKE MANIFOLD GASKET	12	

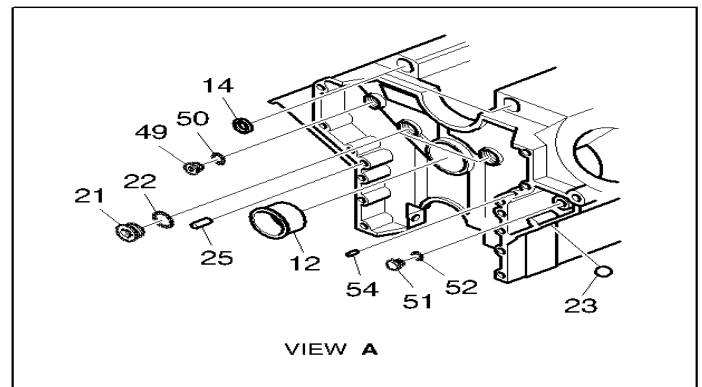
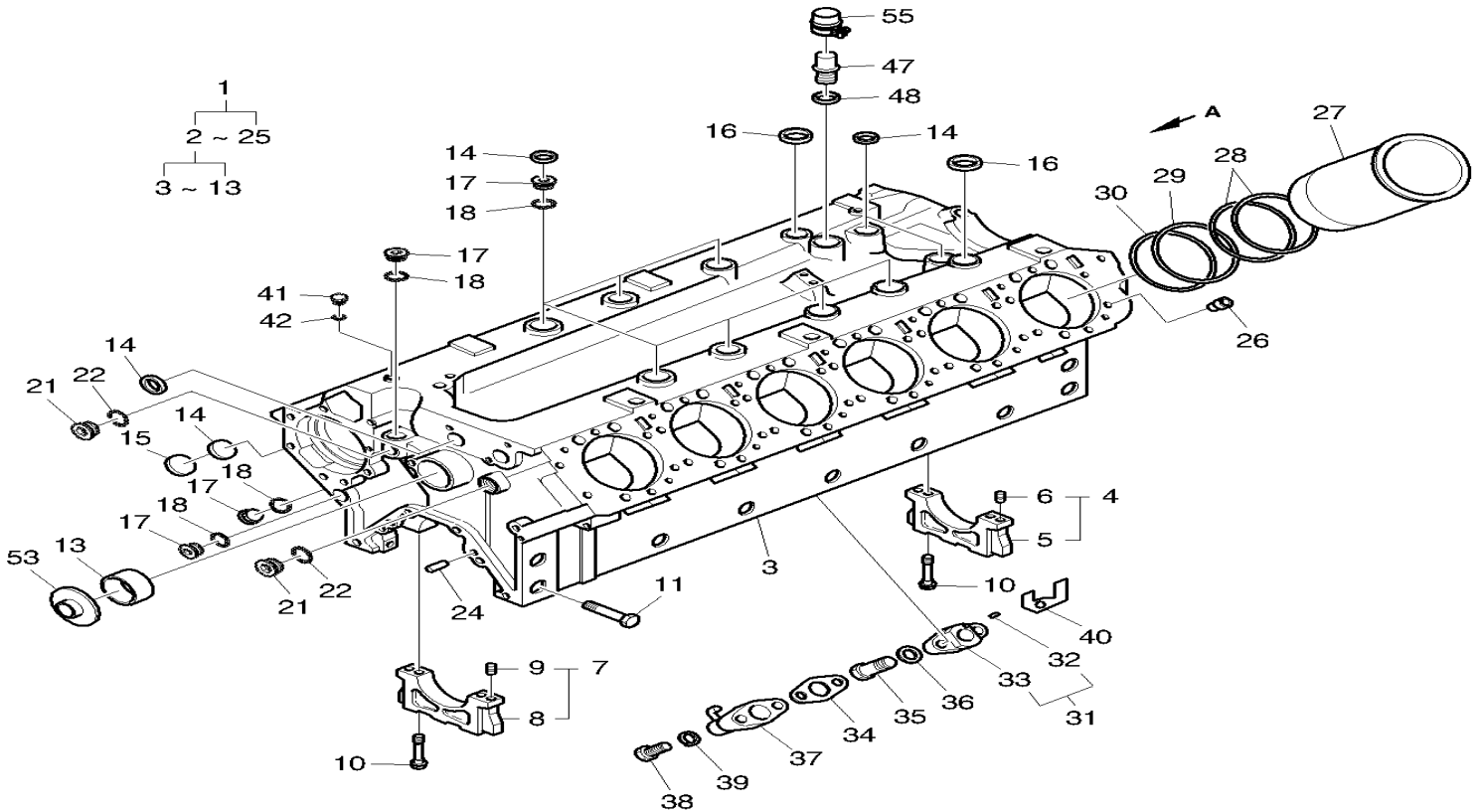


**KIT D
CYLINDER HEAD KIT - PER CYLINDER
PART NUMBER - 660010**

IMAGE	PART NUMBER	DESCRIPTION	QTY	PAGE
3	610773	VALVE GUIDE	2	
4	610776	VALVE SEAT	1	
5	610777	VALVE SEAT	1	
1	610793	INTAKE VALVE	1	
2	610794	EXHAUST VALVE	1	
4	610807	VALVE SPRING KIT	2	
10	610813	VALVE PLATE SPRING	2	
11	611087	WASHER	2	
12	611088	WASHER	2	
13	611177	KEEPER	4	
14	610851	VALVE STEM SEAL	2	



CYLINDER BLOCK 22L





CYLINDER BLOCK 22L

IMAGE	PART NUMBER	DESCRIPTION	QTY		NOTES
1	610494	CYLINDER BLOCK ASS'Y	1	\$	
2	610497	CYLINDER BLOCK ASS'Y	1	\$	
3	610500	BLOCK, CYLINDER	1	%	
4	NOT SOLD SEPERATELY	BEARING CAP ASS'Y	1	^	
5	NOT SOLD SEPERATELY	CAP, BEARING	1	%	
6	611097	PIN, DOWEL	2	&	
7	NOT SOLD SEPERATELY	BEARING CAP ASS'Y	6	\$	
8	NOT SOLD SEPERATELY	CAP, BEARING	1	\$	
9	610461	PIN, PARALLEL	2	%	
10	611052	BOLT, BEARING CAP	14	^	
11	610380	BOLT, HEX	14	%	
12	610840	BUSH, CAM SHAFT	1	&	
13	610841	BUSH, CAM SHAFT	6	\$	
14	611103	PLUG, CORE	16	\$	
15	610000	PLUG, CORE	4	%	
16	610447	PLUG, CORE	2	^	
17	612488	SCREW, PLUG	10	%	
18	610194	RING, SEAL	10	&	
21	611077	SCREW, PLUG	4	^	
22	610484	RING, SEAL	4	&	
23	610474	VALVE, BY-PASS	1	^	
24	610460	PIN, PARALLEL	2	&	
25	610463	PIN, PARALLEL	2	^	
26	611110	PIN, LOCATING	24	^	
27	610691	LINER, CYLINDER	12	@	IN KIT B
28	611127	O-RING	24	@	IN KIT A
29	611132	O-RING	12	@	IN KIT A
30	611131	O-RING	12	@	IN KIT A

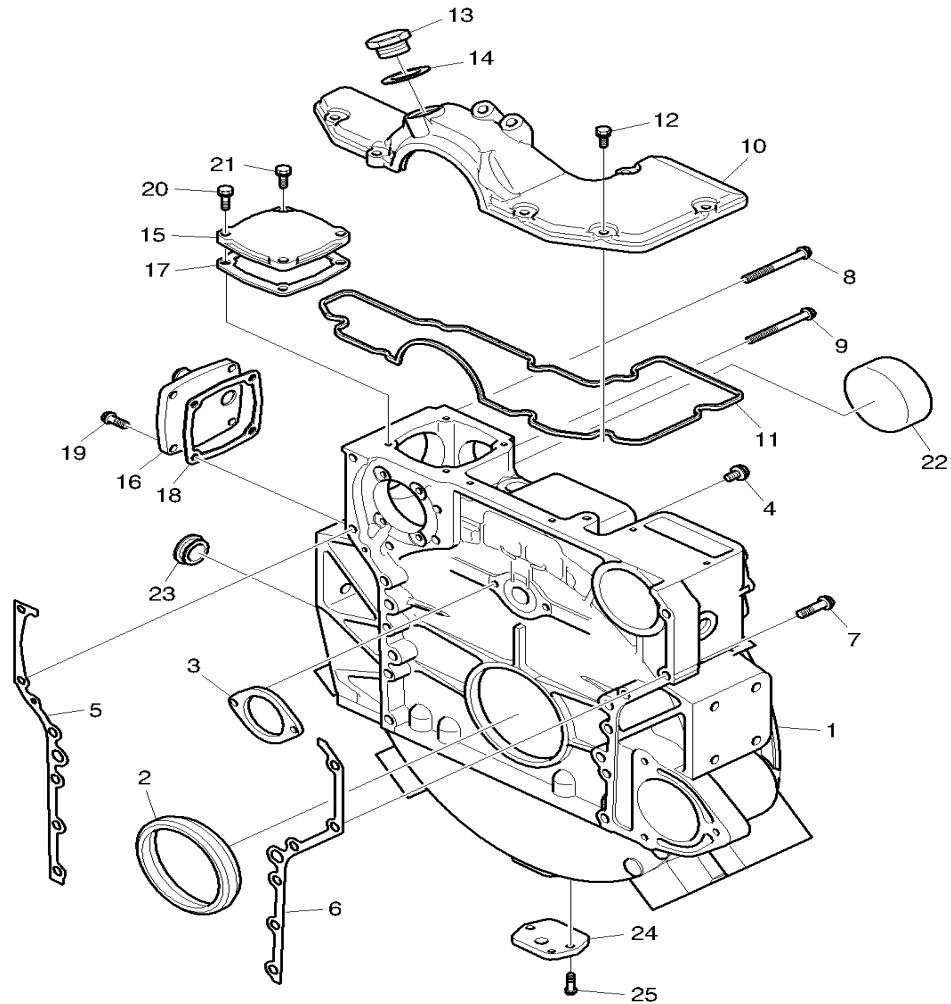


CYLINDER BLOCK 22L

IMAGE	PART NUMBER	DESCRIPTION	QTY		NOTES
31	610710	FLANGE ASS'Y	12	%	
32	610464	PIN, SPRING	1	^	
33	610708	NOZZLE, OIL SPRAY	1	^	
34	611138	GASKET	12	&	IN KIT A
35	611157	SCREW, HOLLOW	12	\$	
36	610267	RING, SEAL	12	\$	
37	610711	OIL SPRAY NOZZLE ASS'Y	12	%	
38	611035	BOLT, HEX.	24	^	
39	610449	WASHER, SPRING	24	%	
40	610714	PLATE, BAFFLE	1	&	
41	610078	SCREW, PLUG	1	^	
42	610482	RING, SEAL	1	&	
47	610893	PIPE, OIL	1	\$	
48	610485	RING, SEAL	1	\$	
49	611074	SCREW, PLUG	1	%	
50	610223	RING, SEAL	1	^	
51	611078	SCREW, PLUG	1	%	
52	610267	RING, SEAL	1	&	
53	611102	COVER	1	^	
54	611066	PLUG, CORE	1	&	
55	610713	PIPE, BLIND	1	%	



FLYWHEEL HOUSING 22L





FLYWHEEL HOUSING 22L

IMAGE	PART NUMBER	DESCRIPTION	QTY		NOTES
1	610697	HOUSING, FLYWHEEL	1	^	
2	610705	SEAL, OIL	1	@	IN KIT A
3	611094	WASHER, THRUST	1	&	
4	611042	BOLT, HEX.	2	%	
5	610718	GASKET, FLYWHEEL HOUSING	1	@	IN KIT A
6	610719	GASKET, FLYWHEEL HOUSING	1	@	IN KIT A
7	611048	BOLT, COLLARED HEX.	10	^	
8	611047	BOLT, COLLARED HEX.	1	&	
9	611041	BOLT, HEX.	1	%	
10	610699	COVER, FLYWHEEL HOUSING	1	\$	
11	610715	GASKET, FLYWHEEL HOUSING COVER	1	@	IN KIT A
12	610406	BOLT ASS'Y	8	^	
13	611076	SCREW, PLUG	1	%	
14	611133	RING, SEAL	1	%	
15	610698	COVER, FLYWHEEL HOUSING	1	&	
16	610700	COVER, FLYWHEEL HOUSING	1	&	
17	611031	GASKET	1	@	IN KIT A
18	611031	GASKET	1	@	IN KIT A
19	610406	BOLT ASS'Y	4	\$	
20	610406	BOLT ASS'Y	3	\$	
21	610057	BOLT ASS'Y	1	%	
22	611104	PLUG, CORE	1	^	
23	611126	CAP, RUBBER	1	%	
24	611151	ADAPTER	1	&	
25	610057	BOLT ASS'Y	2	^	



OIL SEAL 22L

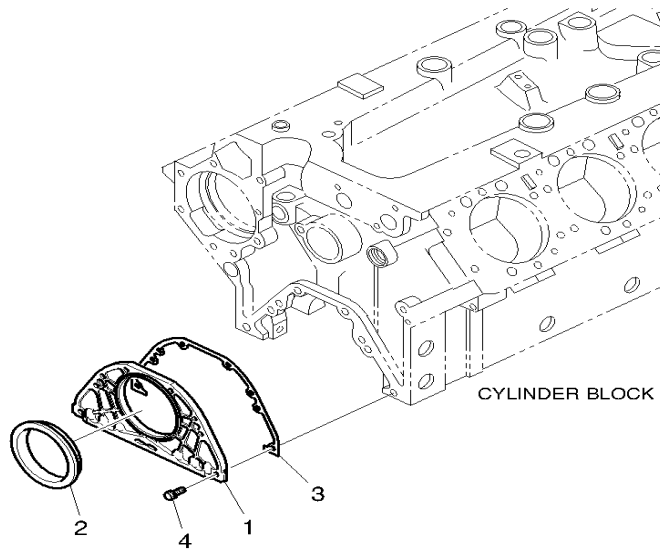


IMAGE	PART NUMBER	DESCRIPTION	QTY		NOTES
1	610701	HOLDER, OIL SEAL	1	^	
2	610706	SEAL, OIL	1	@	IN KIT A
3	610721	GASKET	1	@	IN KIT A
4	610405	BOLT ASS'Y	6	&	



CRANKSHAFT 22L

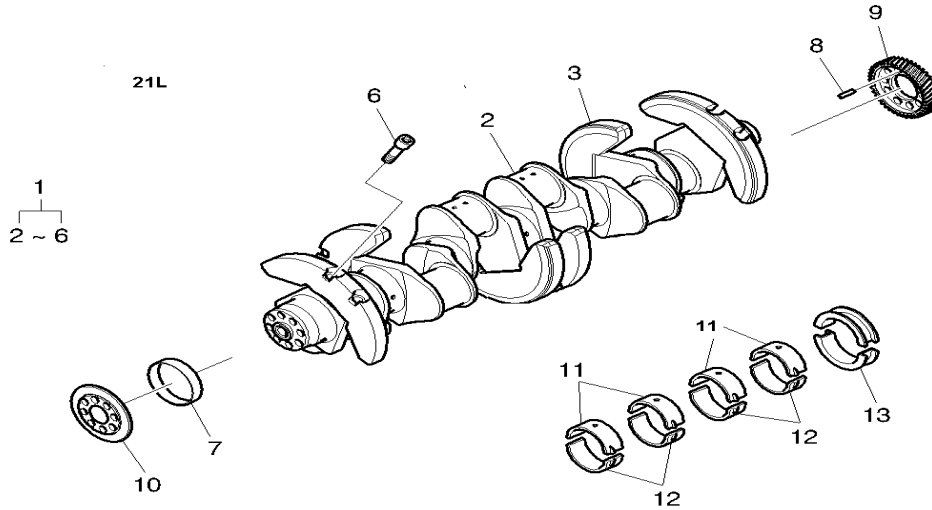


IMAGE	PART NUMBER	DESCRIPTION	QTY		NOTES
1	610506	CRANK SHAFT ASS'Y	1	\$	
6	611057	BOLT, SOCKET HEAD	12	\$	
7	610730	RING, WEAR (FRONT)	1	@	
8	610462	PIN, PARALLEL	1	^	
9	610729	GEAR, CRANK SHAFT	1	%	
10	610702	RING, OIL THROWER	1	&	
11	610672	BEARING, MAIN	6	@	
12	610673	BEARING, MAIN	6	@	
13	610679	THRUST, BEARING SET	1	@	



VIBRATION DAMPER 22L

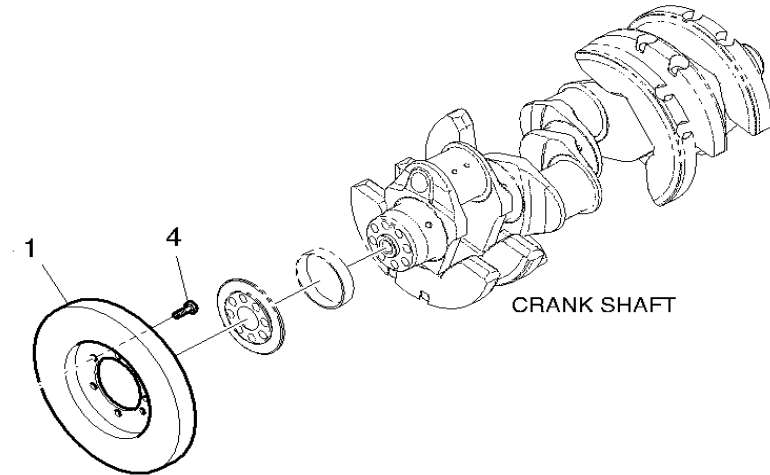


IMAGE	PART NUMBER	DESCRIPTION	QTY	NOTES
1	610077	DAMPER, VIBRATION	1	
4	610080	BOLT, HEX.	6	



FLYWHEEL 22L

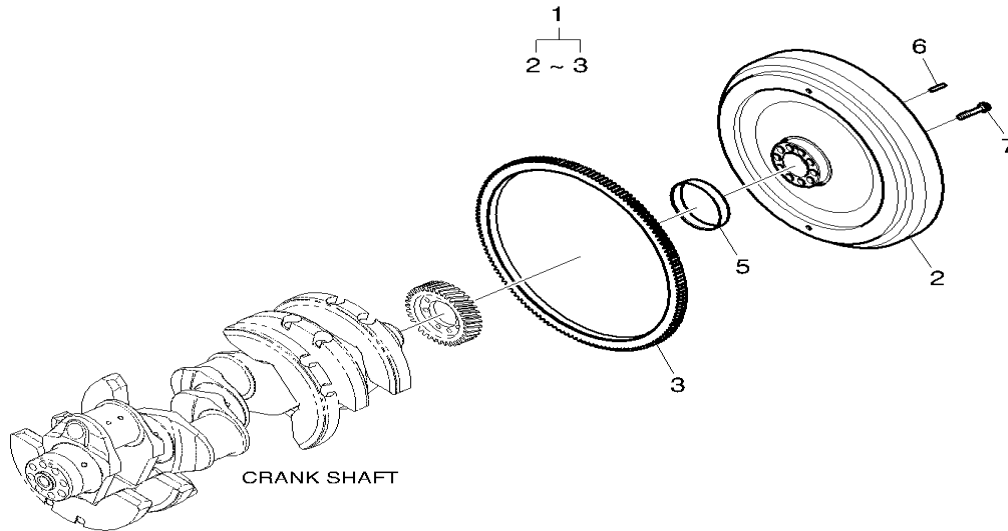


IMAGE	PART NUMBER	DESCRIPTION	QTY		NOTES
1	610738	FLYWHEEL ASS'Y	1	%	
2	610737	FLYWHEEL	1	^	
3	610741	GEAR, STARTER RING	1	@	
5	610731	RING, WEAR (FRONT)	1	%	
6	611098	PIN, TAPER	1	^	
7	611046	BOLT, COLLARED HEX.	10	%	



CONNECTING ROD 22L

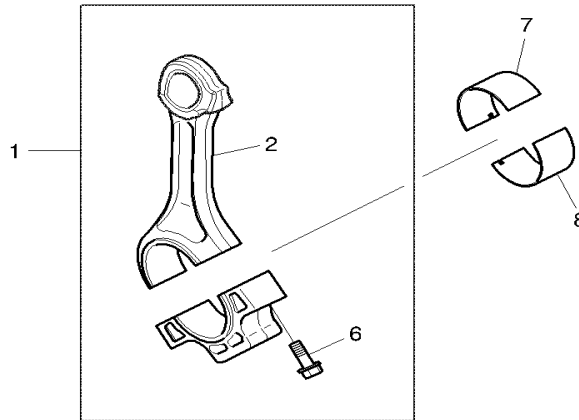


IMAGE	PART NUMBER	DESCRIPTION	QTY		NOTES
1	610516	CONNECTING ROD ASS'Y	12	@	
2	NOT SOLD SEPERATELY	ROD, CONNECTING	1	%	
6	610749	BOLT, CONNECTING ROD	2	@	
7	610746	BEARING, CONNECTING ROD	12	@	IN KIT B
8	610747	BEARING, CONNECTING ROD	12	@	IN KIT B



PISTON 22L

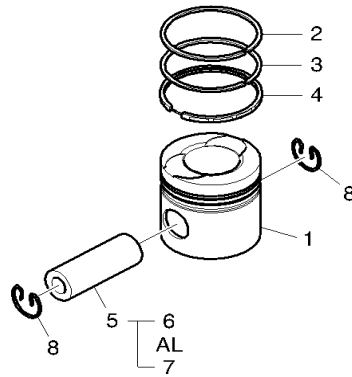


IMAGE	PART NUMBER	DESCRIPTION	QTY		NOTES
1	610751	PISTON	12	@	IN KIT B
2	610760 (NOTE 1)	RING, TOP	12	%	IN KIT B
3	610758 (NOTE 1)	RING, 2ND	12	^	IN KIT B
4	610763 (NOTE 1)	RING, OIL	12	%	IN KIT B
5	610757	PIN, PISTON	12	@	IN KIT B
8	611095	RING, SNAP	24	@	IN KIT B
NOTE 1	612111	COMPLETE ENGINE RING KIT	1	@	INCLUDES 2,3 & 4



CYLINDER HEAD 22L

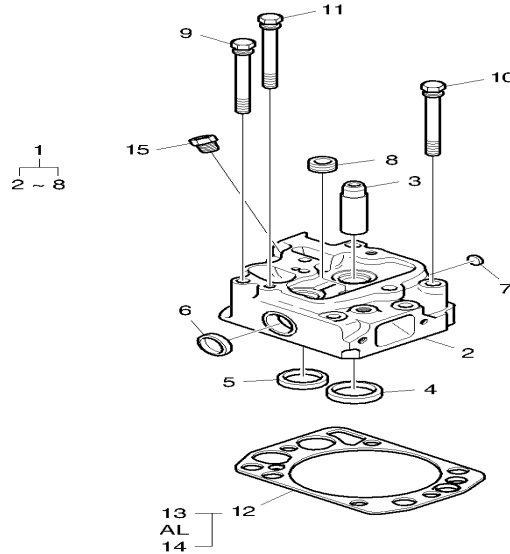


IMAGE	PART NUMBER	DESCRIPTION	QTY		NOTES
1	610771	HEAD, CYLINDER	12	^	BARE HEAD
1	612504	HEAD, CYLINDER	12	@	COMPLETE HEAD
3	610773	GUIDE, VALVE	2	\$	IN KIT D
4	610776	SEAT, VALVE	1	\$	IN KIT D
5	610777	SEAT, VALVE	1	%	IN KIT D
6	610000	PLUG, CORE	1	^	
7	610004	PLUG, CORE	1	%	
8	610435	SCREW, PLUG	1	&	
9	611049	BOLT, CYLINDER HEAD	24	@	
10	611050	BOLT, CYLINDER HEAD	36	@	
11	611051	BOLT, CYLINDER HEAD	12	@	
12	610535	GASKET, CYLINDER HEAD	12	@	IN KIT A & C
15	611073	SCREW, PLUG	12	%	



CYLINDER HEAD COVER 22L

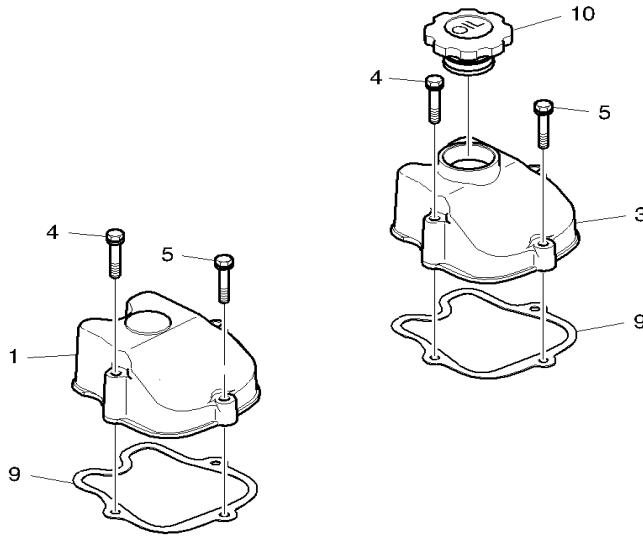


IMAGE	PART NUMBER	DESCRIPTION	QTY		NOTES
1	610782	COVER,CYLINDER HEAD	11	%	
3	610783	COVER, CYLINDER HEAD	1	^	
4	610410	BOLT ASS'Y	24	%	
5	610408	BOLT ASS'Y	12	\$	
9	610789	GASKET, CYLINDER HEAD	12	@	IN KIT A & C
10	610120	OIL FILLER CAP ASS'Y	1	%	



VALVE 22L

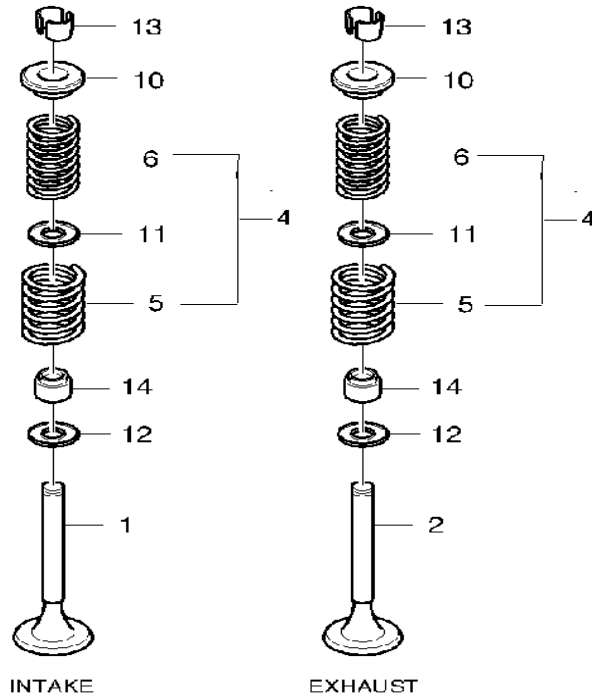


IMAGE	PART NUMBER	DESCRIPTION	QTY		NOTES
1	610793	VALVE	12	@	IN KIT D
2	610794	VALVE	12	@	IN KIT D
4	610807	SPRING, VALVE ASSY	24	@	IN KIT D
5	610804	SPRING, VALVE (OUTER)	1	%	PART OF 4
6	610805	SPRING, VALVE (INNER)	1	^	PART OF 4
10	610813	PLATE, VALVE SPRING	24	@	IN KIT D
11	611087	WASHER	24	@	IN KIT D
12	611088	WASHER	24	@	IN KIT D
13	611177	COTTER, VALVE	48	@	IN KIT D
14	610851	SEAL, VALVE STEM	24	@	IN KIT D



ROCKER ARM 22L

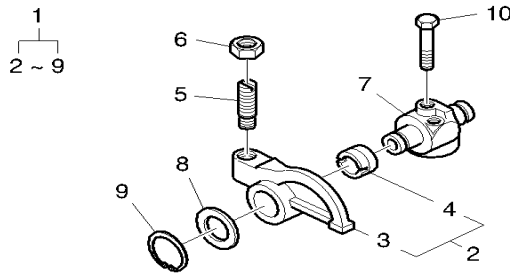


IMAGE	PART NUMBER	DESCRIPTION	QTY		NOTES
1	610816	ROCKER ARM & SHAFT ASS'Y	12	@	
2	NOT SOLD SEPERATELY	ROCKER ARM ASS'Y	2	\$	
3	610819	ARM, ROCKER	1	\$	
4	611115	BUSH	1	%	
5	610827	SCREW, ADJUST	2	^	
6	611084	NUT, HEX.	2	%	
7	NOT SOLD SEPERATELY	BRACKET, ROCKER ARM	1	&	
8	611090	WASHER	2	%	
9	610143	RING, SNAP	2	%	
10	611036	BOLT, HEX.	24	^	



VALVE TAPPET 22L

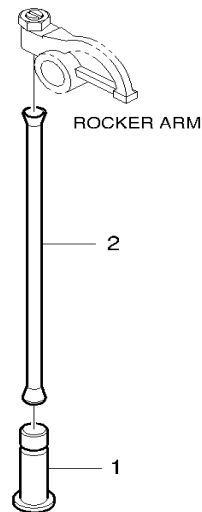


IMAGE	PART NUMBER	DESCRIPTION	QTY		NOTES
1	610829	TAPPET, VALVE	24	@	
2	610830	ROD, PUSH	24	@	



CAMSHAFT 22L

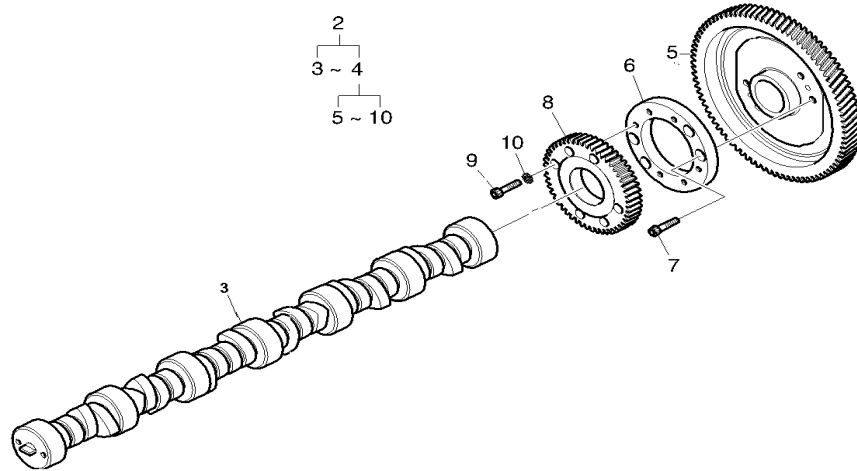


IMAGE	PART NUMBER	DESCRIPTION	QTY		NOTES
2	610838	CAM SHAFT ASS'Y	1	%	
3	610835	SHAFT, CAM	1	@	
4	NOT SOLD SEPERATELY	DRIVE GEAR ASS'Y	1	\$	
5	610844	GEAR, CAM SHAFT	1	\$	
6	610994	SPACER	1	%	
7	610056	BOLT, SOCKET HEAD	4	^	
8	610996	GEAR, INJECTION PUMP DRIVE	1	&	
9	610427	BOLT, SOCKET HEAD	6	^	
10	610209	WASHER, SPRING	6	%	



OIL PUMP 22L

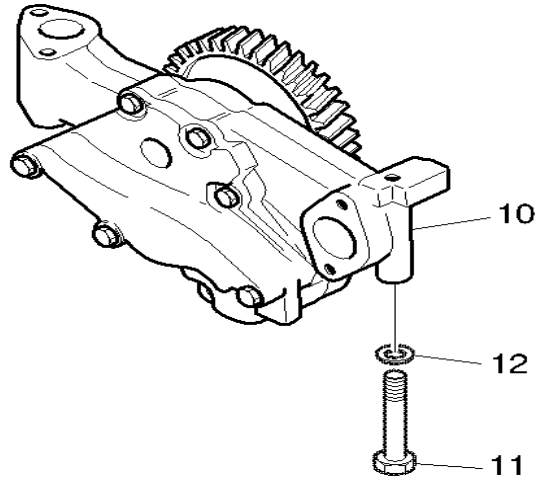


IMAGE	PART NUMBER	DESCRIPTION	QTY	NOTES
10	610853	OIL PUMP ASS'Y	1	
11	610352	BOLT, HEX.	1	
12	610016	WASHER, SPRING	1	



RELIEF VALVE 22L

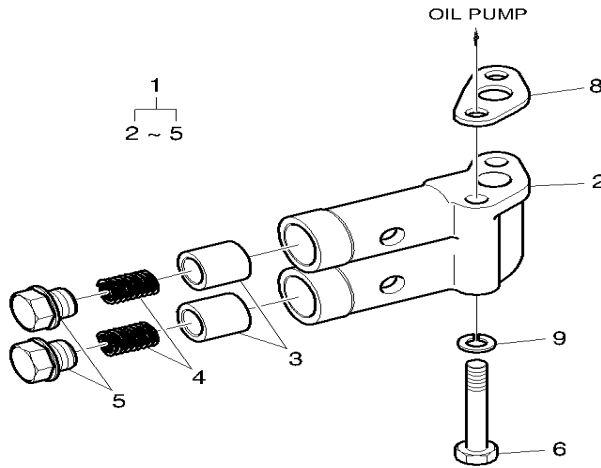


IMAGE	PART NUMBER	DESCRIPTION	QTY		NOTES
1	610870	RELIEF VALVE ASS'Y	1	@	
2	NOT SOLD SEPERATELY	HOUSING, RELIEF VALVE	1	^	
3	NOT SOLD SEPERATELY	PLUNGER, VALVE	2	%	
4	NOT SOLD SEPERATELY	SPRING	2	^	
5	NOT SOLD SEPERATELY	SCREW, PLUG	2	%	
6	610282	BOLT, HEX.	2	^	
8	610917	GASKET	1	@	IN KIT A
9	610016	WASHER, SPRING	2	\$	



OIL FILTER 22L

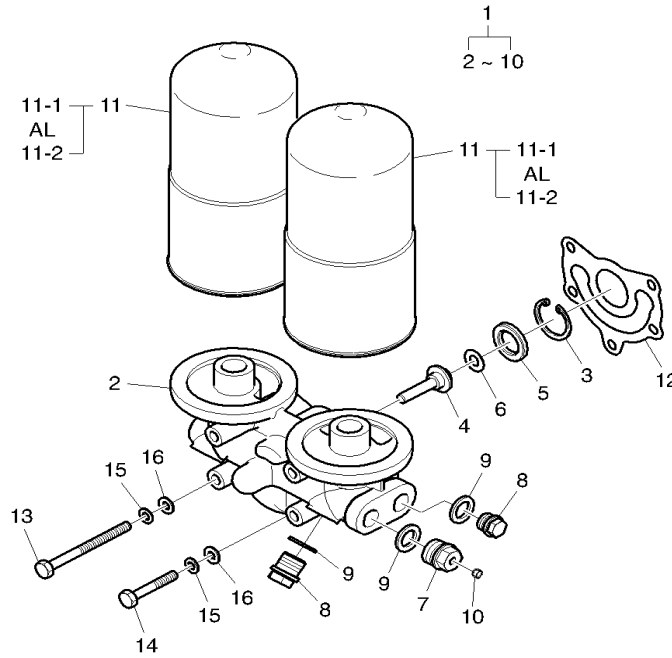
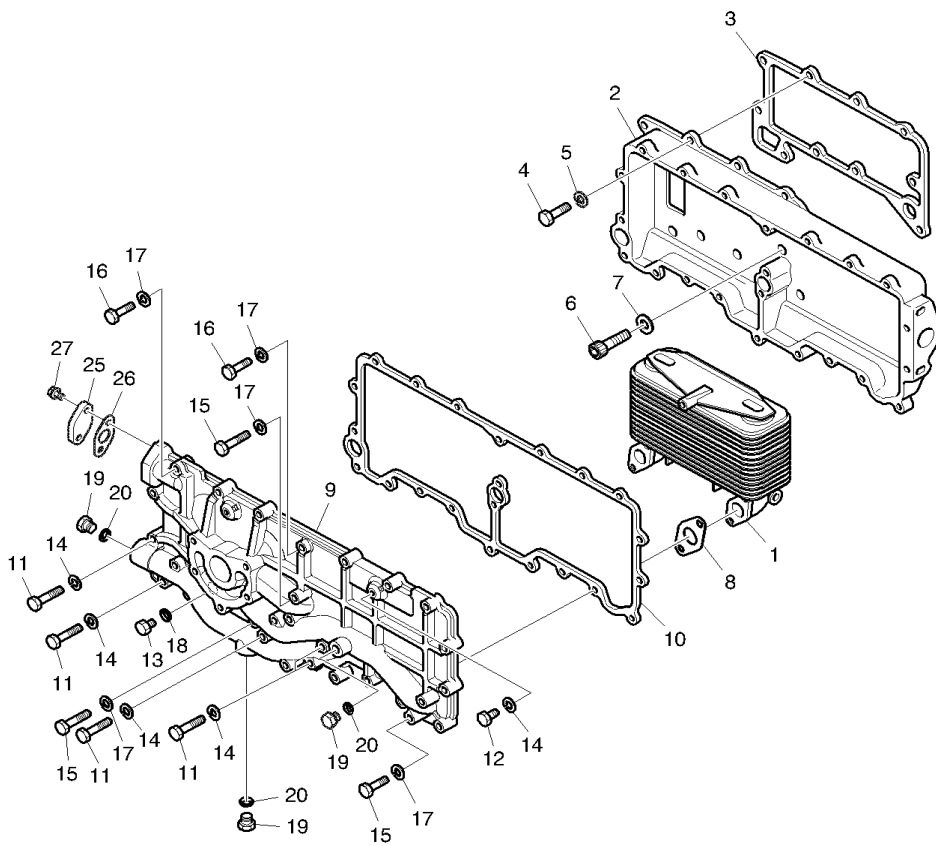


IMAGE	PART NUMBER	DESCRIPTION	QTY		NOTES
1	610878	OIL FILTER ASS'Y	1	\$	
2	610880	HEAD, OIL FILTER	1	\$	
3	610466	RING, SNAP	1	%	
4	610884	PLUNGER, VALVE	1	^	
5	610885	SEAT, VALVE	1	%	
6	610883	PLATE	1	&	
7	611153	ADAPTER	1	%	
8	610437	SCREW, PLUG	3	^	
9	610726	RING, SEAL	4	\$	
10	611081	SCREW, PLUG	1	%	
11	610882	FILTER CARTRIDGE ASS'Y	2	@	
12	610912	GASKET, OIL FILTER	1	^	IN KIT A
13	610355	BOLT, HEX	4	%	
14	610373	BOLT, HEX	1	^	
15	610146	WASHER, SPRING	5	%	
16	610254	WASHER, PLAIN	5	&	



OIL COOLER 22L



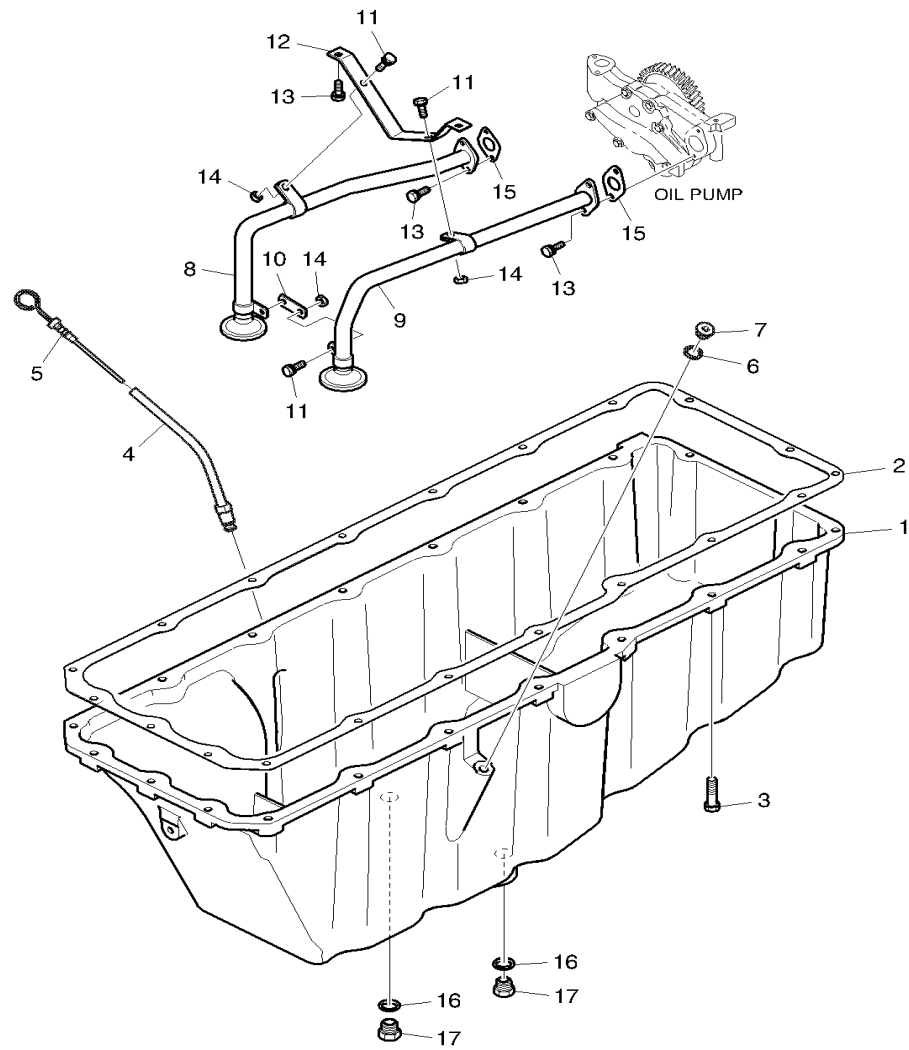


OIL COOLER 22L

IMAGE	PART NUMBER	DESCRIPTION	QTY		NOTES
1	610886	OIL COOLER ASS'Y	2	@	
2	610889	HOUSING, OIL COOLER	1	^	
3	610911	GASKET	1	@	IN KIT A
4	610372	BOLT, HEX.	5	\$	
5	610451	WASHER, SPRING	5	%	
6	611054	BOLT, SOCKET HEAD	5	^	
7	611086	WASHER	5	&	
8	611137	GASKET, FLANGE	4	@	IN KIT A
9	610891	COVER, OIL COOLER	1	\$	
10	610914	GASKET, OIL COOLER	1	@	IN KIT A
11	610350	BOLT,HEX.	8	\$	
12	610362	BOLT, HEX.	2	\$	
13	610438	SCREW, PLUG	1	%	
14	610450	WASHER, SPRING	10	^	
15	610392	BOLT ASS'Y	5	%	
16	610366	BOLT, HEX.	17	&	
17	610450	WASHER, SPRING	22	\$	
18	610267	RING, SEAL	1	\$	
19	611076	SCREW, PLUG	3	%	
20	610194	RING, SEAL	3	^	
25	611099	COVER, END	1	%	
26	610916	GASKET	1	@	IN KIT A
27	610404	BOLT ASS'Y	2	%	
18	610267	RING, SEAL	1	^	
19	610438	SCREW, PLUG	1	\$	
29	611156	SCREW, CONNECTING	1	#	
30	610206	RING, SEAL	1	%	



OIL PAN 22L





OIL PAN 22L

IMAGE	PART NUMBER	DESCRIPTION	QTY		NOTES
1	610907	PAN, OIL	1	&	
2	610920	GASKET, OIL PAN	1	@	IN KIT A
3	610407	BOLT ASS'Y	20	\$	
4	610910	GUIDE TUBE ASS'Y	1	\$	
5	612171	OIL LEVEL GAUGE ASS'Y	1	%	
6	610223	RING, SEAL	1	^	
7	611074	SCREW, PLUG	1	%	
8	610895	PIPE, OIL	1	&	
9	610898	OIL SUCTION PIPE ASS'Y	1	\$	
10	611143	HOLDER	1	\$	
11	610389	BOLT ASS'Y	4	%	
12	610902	BRACKET	1	^	
13	610026	BOLT ASS'Y	6	%	
14	610017	NUT, HEX	4	&	
15	611136	GASKET	2	@	IN KIT A
16	610206	RING, SEAL	2	%	
17	610285	SCREW, PLUG	2	^	



COOLING WATER PIPE 22L

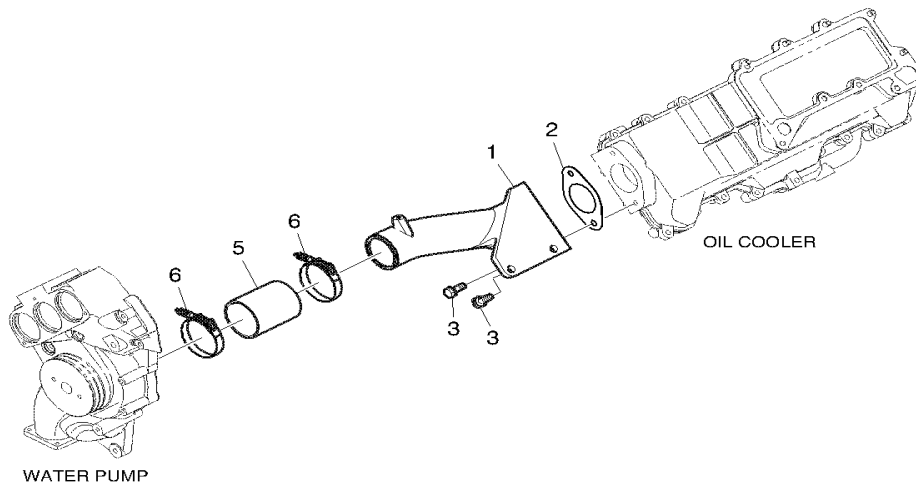
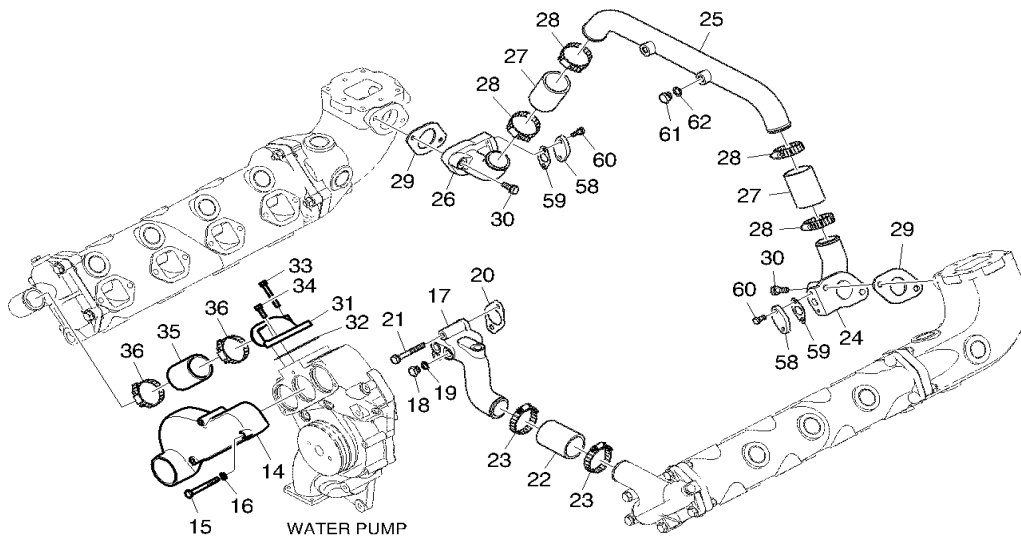


IMAGE	PART NUMBER	DESCRIPTION	QTY		NOTES
1	610935	PIPE, COOLING WATER	1	%	
2	610965	GASKET	1	@	IN KIT A
3	610398	BOLT ASS'Y	4	^	
5	610527	HOSE, RUBBER	1	@	
6	611142	CLAMP, HOSE (BAND TYPE)	2	\$	



COOLILNG WATER PIPE 22L





COOLILNG WATER PIPE 22L

IMAGE	PART NUMBER	DESCRIPTION	QTY		NOTES
14	610554	OUTLET, WATER	1	%	
15	610293	BOLT ASS'Y	3	^	
16	610056	WASHER, PLAIN	3	%	
17	610924	PIPE, COOLING WATER	1	&	
18	610438	SCREW, PLUG	2	\$	
19	610267	RING, SEAL	2	%	
20	611135	GASKET	1	@	IN KIT A
21	610336	BOLT ASS'Y	2	^	
22	610247	HOSE, SILICON	1	@	
23	610250	CLAMP, HOSE (BAND TYPE)	2	\$	
24	610927	PIPE, COOLING WATER	1	\$	
25	610935	PIPE, COOLING WATER	1	%	
26	610928	PIPE, COOLING WATER	1	^	
27	610247	HOSE, SILICON	2	@	
28	610250	CLAMP, HOSE (BAND TYPE)	4	&	
29	610526	GASKET, WATER PIPE	2	@	IN KIT A & C
30	610418	BOLT ASS'Y	4	%	
31	610934	PIPE, COOLING WATER	1	^	
32	610964	GASKET, WATER PIPE	1	@	IN KIT A
33	610392	BOLT ASS'Y	2	\$	
34	610389	BOLT ASS'Y	2	\$	
35	610247	HOSE, SILICON	1	%	
36	610250	CLAMP, HOSE (BAND TYPE)	2	^	
58	611099	COVER, END	2	%	
59	610916	GASKET	2	@	IN KIT A
60	610014	BOLT ASS'Y	4	%	
61	610052	SCREW, PLUG	2	^	
62	610018	RING,SEAL	2	\$	



THERMOSTAT 22L

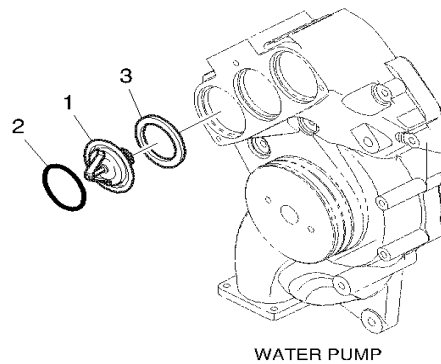


IMAGE	PART NUMBER	DESCRIPTION	QTY		NOTES
1	610260	THERMOSTAT ASS'Y	3	@	160 DEGREE (71C) (STD)
1	610937	THERMOSTAT ASS'Y	3	%	174 DEGREE (79C) (ALT)
1	612500	THERMOSTAT ASS'Y	3	^	181 DEGREE (83C) (ALT)
2	610261	O-RING	3	@	IN KIT A
3	610262	GASKET, THERMOSTAT	3	@	IN KIT A



WATER PUMP 22L

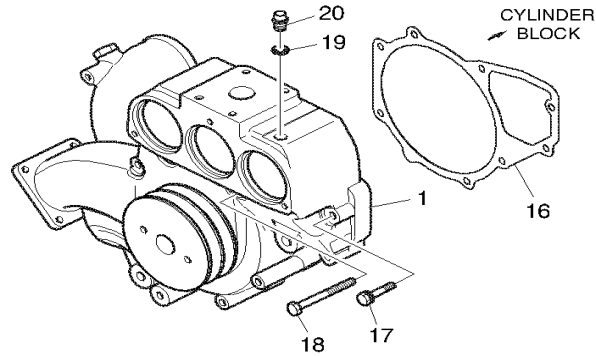


IMAGE	PART NUMBER	DESCRIPTION	QTY		NOTES
1	610941	WATER PUMP ASS'Y	1	@	
16	610960	GASKET, WATER PUMP	1	@	IN KIT A
17	610225	BOLT ASS'Y	3	%	
18	610293	BOLT ASS'Y	3	^	
19	610482	RING, SEAL	1	&	
20	611155	SCREW, CONNECTING	1	\$	

RETRO FIT FAN DRIVE

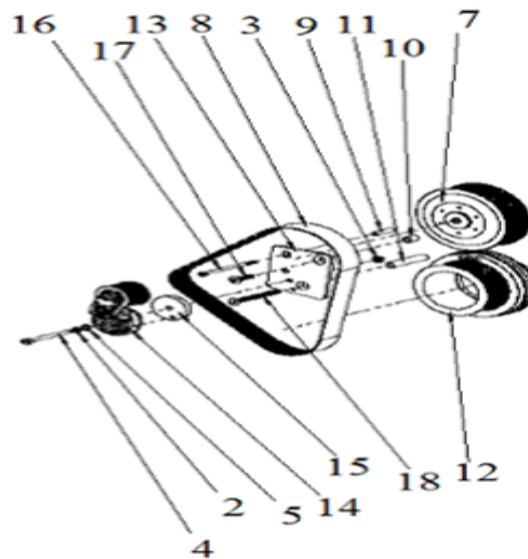


IMAGE #	PART NUMBER	DESCRIPTION	QTY	NOTE
2	35000046	WASHER	1	
3	35000196	NUT	1	
4	35000386	BOLT	1	
5	35000402	WASHER	1	
7	53500049	FAN PULLEY	1	
8	53000044	BELT	1	
9	53000045	SPACER	1	
10	53000046	SPACER	1	
11	53000047	SPACER	1	
12	53000048	CRANK PULLEY	1	
13	53000051	BRACKET	1	
14	53000053	TENSIONER	1	
15	53000054	SPACER	1	
16	35000948	BOLT	1	
17	35000983	BOLT	1	
18	35000988	BOLT	1	



**FRONT DRIVE - SERPENTINE BELT
(POST 2014)**

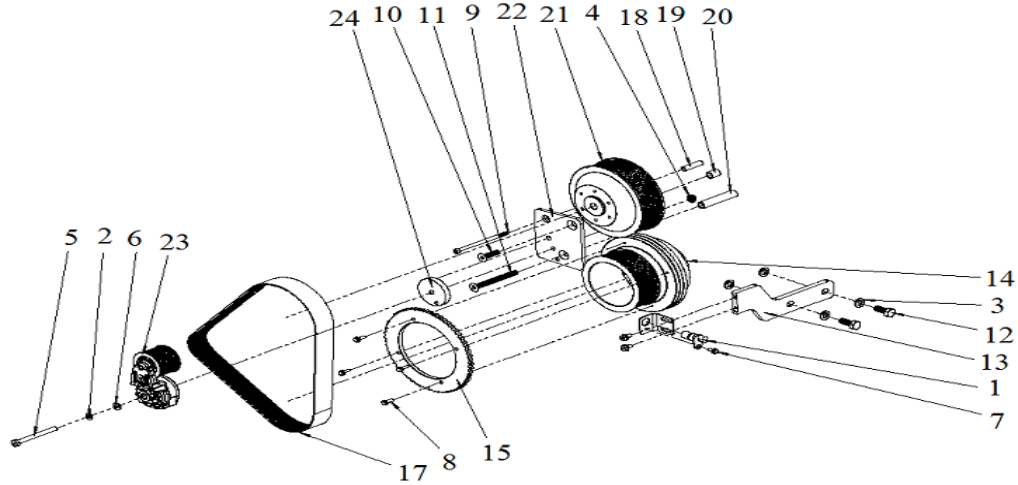
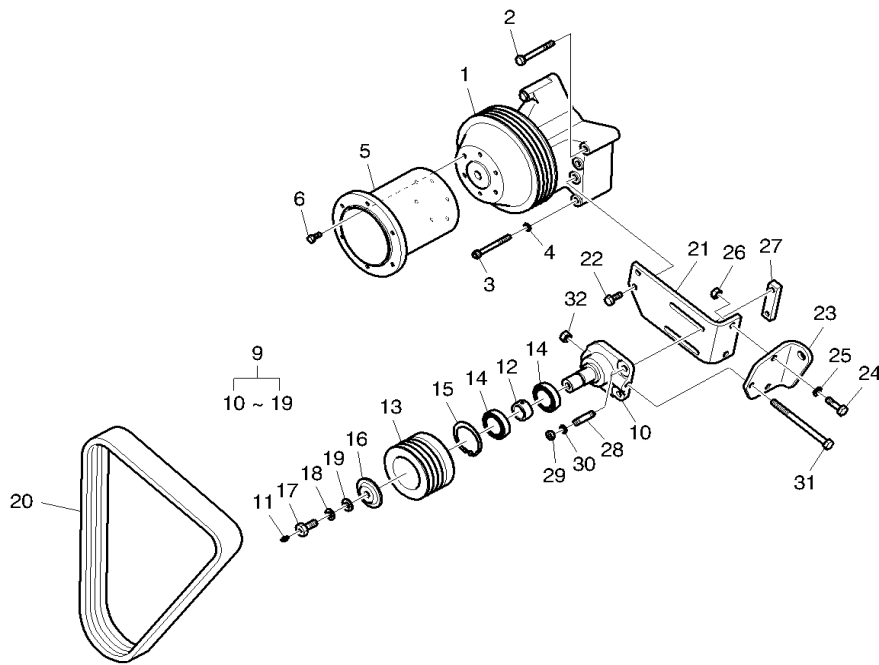


IMAGE #	PART NUMBER	DESCRIPTION	QTY	NOTE
1	32500930	SPEED SENSOR	1	
2	35000046	WASHER	1	
3	35000103	WASHER	4	
4	35000196	NUT	1	
5	35000386	BOLT	1	
6	35000402	WASHER	1	
7	35000530	BOLT	1	
8	35000696	BOLT	4	
9	35000948	BOLT	1	
10	35000983	BOLT	1	
11	35000988	BOLT	1	
12	35000994	BOLT	2	
13	50100029	BRACKET	1	
14	52000187	CRANKSHAFT PULLEY	1	
15	52500152	TIMING WHEEL	1	
16	53000021	ALTERNATOR BELT	1	NOT SHOWN
17	53000044	FAN BELT	1	
18	53000045	SPACER	1	
19	53000046	SPACER	1	
20	53000047	SPACER	1	
21	53000049	FAN PULLEY	1	
22	53000051	TENSIONER BRACKET	1	
23	53000053	TENSIONER	1	
24	53000054	SPACER	1	



**COOLING FAN 22L
(PRE 2014)**



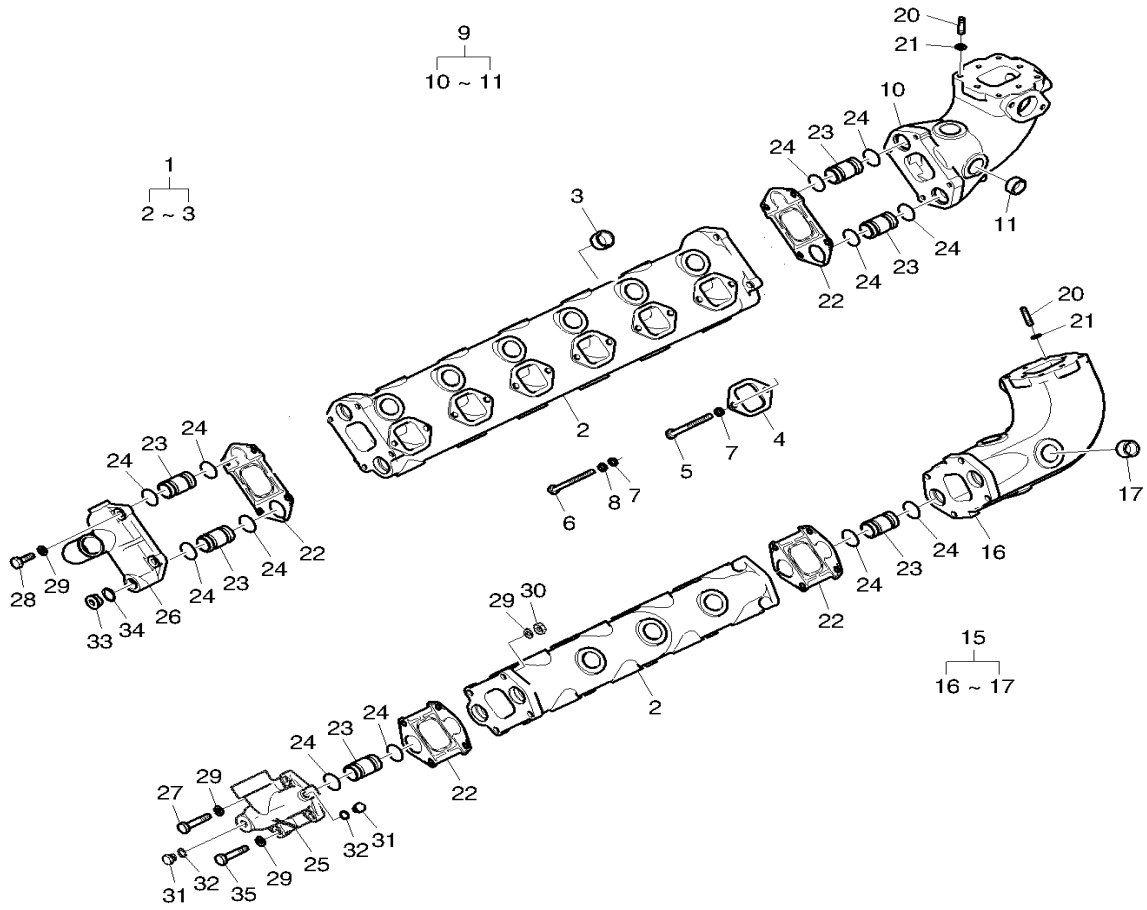


COOLING FAN 22L

IMAGE	PART NUMBER	DESCRIPTION	QTY		NOTES
1	610952	FAN MOUNTING ASS'Y	1	\$	
2	610396	BOLT ASS'Y	1	\$	
3	610426	BOLT ; SOCKET HEAD	1	%	
4	610452	WASHER, SPRING	1	^	
5	610958	FLANGE, FAN	1	%	
6	610390	BOLT ASS'Y	6	&	
9	611117	IDLE PULLEY ASS'Y	1	@	
10	611122	BRACKET, IDLE PULLEY	1	\$	
11	610476	NIPPLE, GREASE	1	\$	
12	611107	SPACER	1	%	
13	611118	PULLEY, IDLE	1	^	
14	610472	BEARING, BALL	2	%	
15	610469	RING, SNAP	1	&	
16	611108	SPACER	1	%	
17	611154	ADAPTER	1	^	
18	610047	WASHER, SPRING	1	&	
19	610525	WASHER, PLAIN	1	%	
20	53000039	V-BELT	4	@	
21	611119	BRACKET, IDLE PULLEY	1	\$	
22	610402	BOLT ASS'Y	2	\$	
23	611120	BRACKET, IDLE PULLEY	1	%	
24	610372	BOLT, HEX.	2	^	
25	610146	WASHER, SPRING	2	%	
26	610304	NUT, HEX.	2	&	
27	611121	BRACKET, IDLE PULLEY	1	\$	
28	610029	BOLT, STUD	2	\$	
29	610304	NUT, HEX.	2	%	
30	610146	WASHER, SPRING	2	^	
31	610367	BOLT, HEX.	1	%	
32	610444	NUT, HEX.	1	&	



EXHAUST MANIFOLD 22L





EXHAUST MANIFOLD 22L

IMAGE	PART NUMBER	DESCRIPTION	QTY		NOTES
1	610978	EXHAUST MANIFOLD ASS'Y	2	@	
2	NOT SOLD SEPERATELY	MANIFOLD, EXHAUST	1	\$	
3	610448	PLUG, CORE	8	\$	
4	610987	GASKET, EXHAUST MANIFOLD	12	@	IN KIT A & C
5	610359	BOLT, HEX.	9	\$	
6	610360	BOLT, HEX	5	\$	
7	610146	WASHER, SPRING	4	%	
8	610254	WASHER, PLAIN	5	^	
9	610973	EXHAUST MANIFOLD ASS'Y	1	@	
10	610966	MANIFOLD, EXHAUST	1	&	
11	610448	PLUG, CORE	4	\$	
15	610974	EXHAUST MANIFOLD ASS'Y	1	@	
16	610967	MANIFOLD, EXHAUST	1	%	
17	610448	PLUG, CORE	5	^	
20	611060	BOLT, STUD	8	%	
21	610146	WASHER, SPRING	8	&	
22	610557	GASKET, EXHAUST MANIFOLD	4	@	IN KIT A
23	610926	PIPE, COOLING WATER	8	%	
24	610479	O-RING	16	@	IN KIT A
25	610556	COVER, EXHAUST MANIFOLD	1	\$	
26	610980	COVER, EXHAUST MANIFOLD	1	\$	
27	610376	BOLT, HEX.	3	%	
28	610375	BOLT, HEX.	4	^	
29	610047	WASHER, SPRING	2	%	
30	610048	NUT, HEX.	4	&	
31	610438	SCREW, PLUG	2	^	
32	610267	RING, SEAL	2	&	
33	610285	SCREW, PLUG	1	&	
34	610194	RING, SEAL	1	%	
35	610378	BOLT, HEX.	1	\$	



INTAKE MANIFOLD 22L

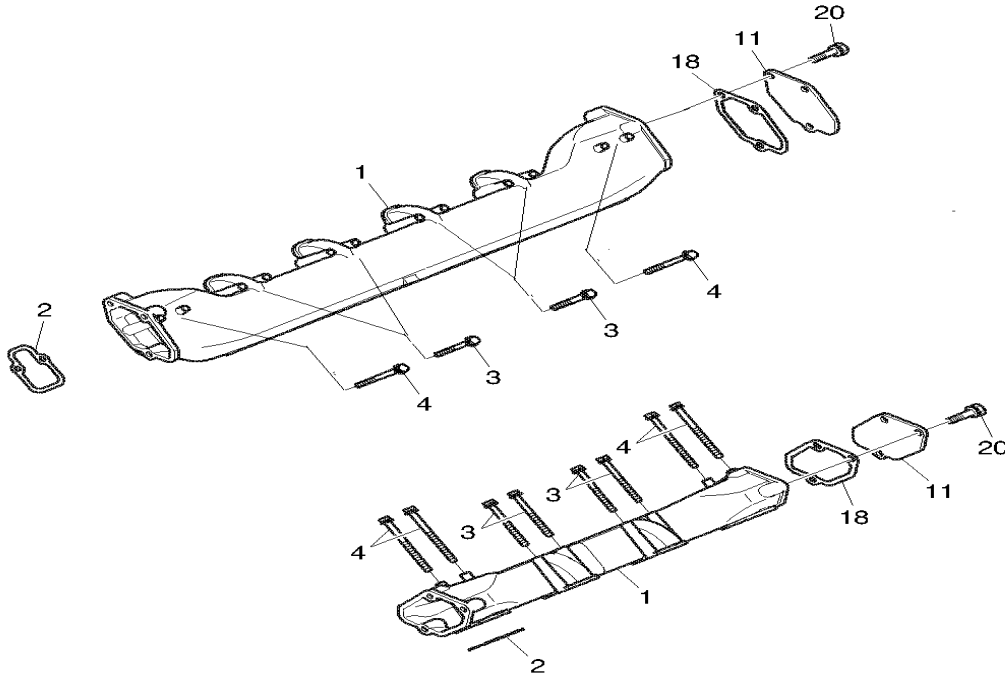


IMAGE	PART NUMBER	DESCRIPTION	QTY		NOTES
1	610983	INTAKE MANIFOLD ASS'Y	2	&	
2	610992	GASKET, INTAKE MANIFOLD	12	@	IN KIT A & C
3	610411	BOLT ASS'Y	16	%	
4	610412	BOLT ASS'Y	8	^	
11	610986	COVER	2	#	
18	610993	GASKET,INTAKE MANIFOLD	2	@	IN KIT A
20	610297	BOLT ASS'Y	6	%	



INJECTION PUMP DRIVE 22L

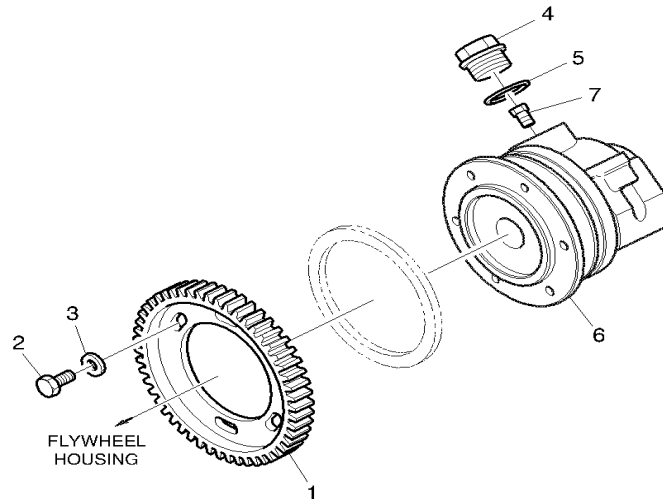
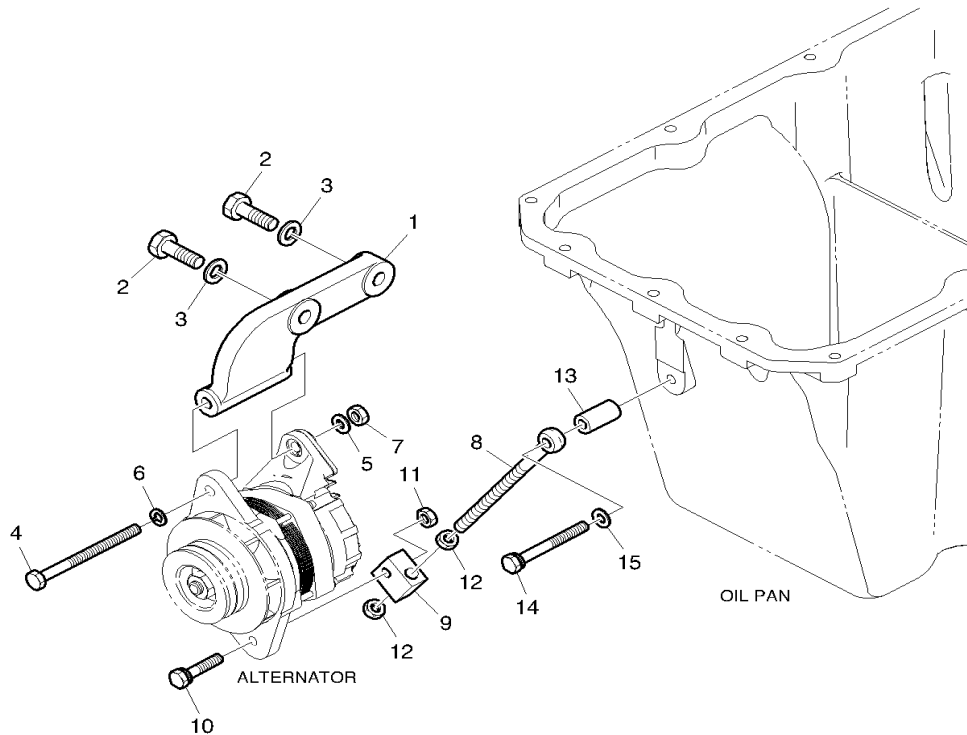


IMAGE	PART NUMBER	DESCRIPTION	QTY	NOTES
1	612302	GEAR ; INJECTION PUMP DRIVE	1	
2	612008	BOLT ; HEX.	4	
3	612371	WASHER	4	
4	612444	ADAPTER	1	
5	610206	RING ; SEAL	1	
6	612303	GEAR ; INJECTION PUMP DRIVE	1	
7	612335	SENSOR	1	



ALTERNATOR MOUNTING 22L





ALTERNATOR MOUNTING 22L

IMAGE	PART NUMBER	DESCRIPTION	QTY	NOTES
1	611010	BRACKET, ALTERNATOR MOUNTING	1	
2	610374	BOLT, HEX.	2	
3	610085	WASHER, SPRING	2	
4	611033	BOLT, HEX.	1	
5	610525	WASHER, PLAIN	1	
6	610047	WASHER, SPRING	1	
7	610048	NUT, HEX.	1	
8	611082	BOLT, SPACER	1	
9	611013	PIECE, GUIDE	1	
10	610394	BOLT ASS'Y	1	
11	610304	NUT, HEX.	1	
12	610440	NUT, HEX	2	
13	611106	SPACER	1	
14	610396	BOLT ASS'Y	1	
15	610254	WASHER,PLAIN	1	



ALTERNATOR BELT 22L

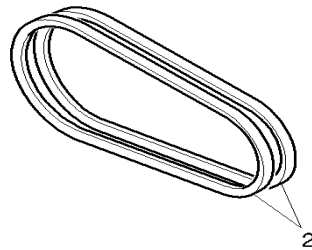


IMAGE	PART NUMBER	DESCRIPTION	QTY		NOTES
2	53000021	V-BELT	2	@	



STARTER 22L

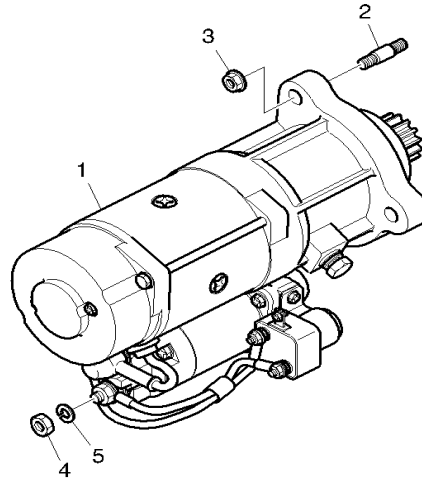
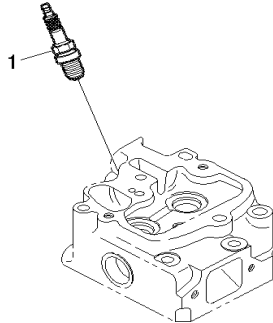


IMAGE	PART NUMBER	DESCRIPTION	QTY		NOTES
1	611017	STARTER	1	@	
2	610432	BOLT, STUD	3	\$	
3	611085	NUT, HEX.	3	\$	
4	610304	NUT, HEX.	1	^	
5	610146	WASHER, SPRING	1	%	



ELECTRONIC IGNITION SYSTEM 22L



CYLINDER HEAD

IMAGE	PART NUMBER	DESCRIPTION	QTY		NOTES
1	610344	PLUG, SPARK	12	@	



ENGINE MOUNTING 22L

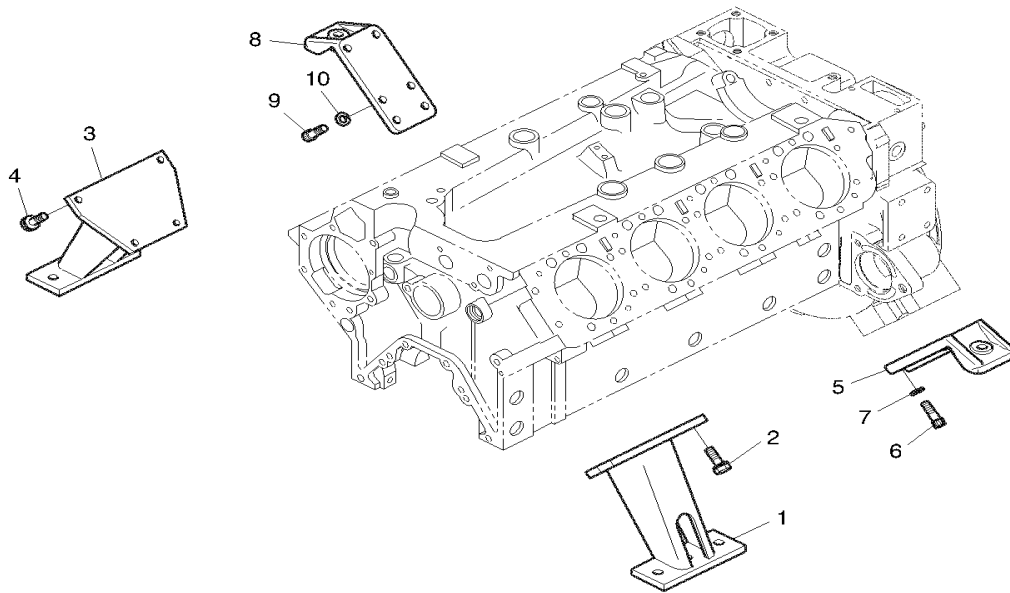
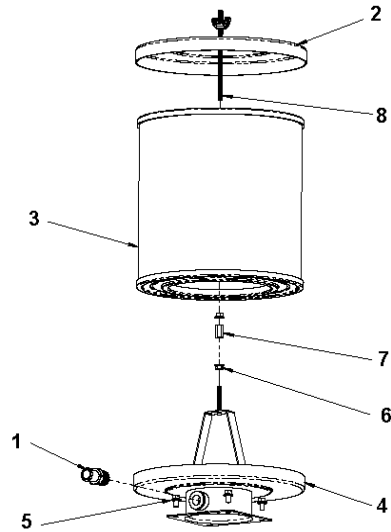


IMAGE	PART NUMBER	DESCRIPTION	QTY	NOTES
1	611029	BRACKET, FRONT MOUNTING	1	
2	610398	BOLT ASS'Y	4	
3	611029	BRACKET, FRONT MOUNTING	1	
4	610398	BOLT ASS'Y	4	
5	611028	BRACKET, FRONT MOUNTING	1	
6	610429	BOLT, SOCKET HEAD	6	
7	610454	WASHER, SPRING	6	
8	611028	BRACKET, FRONT MOUNTING	1	
9	610429	BOLT, SOCKET HEAD	6	
10	610454	WASHER, SPRING	6	



AIR FILTER - 22L

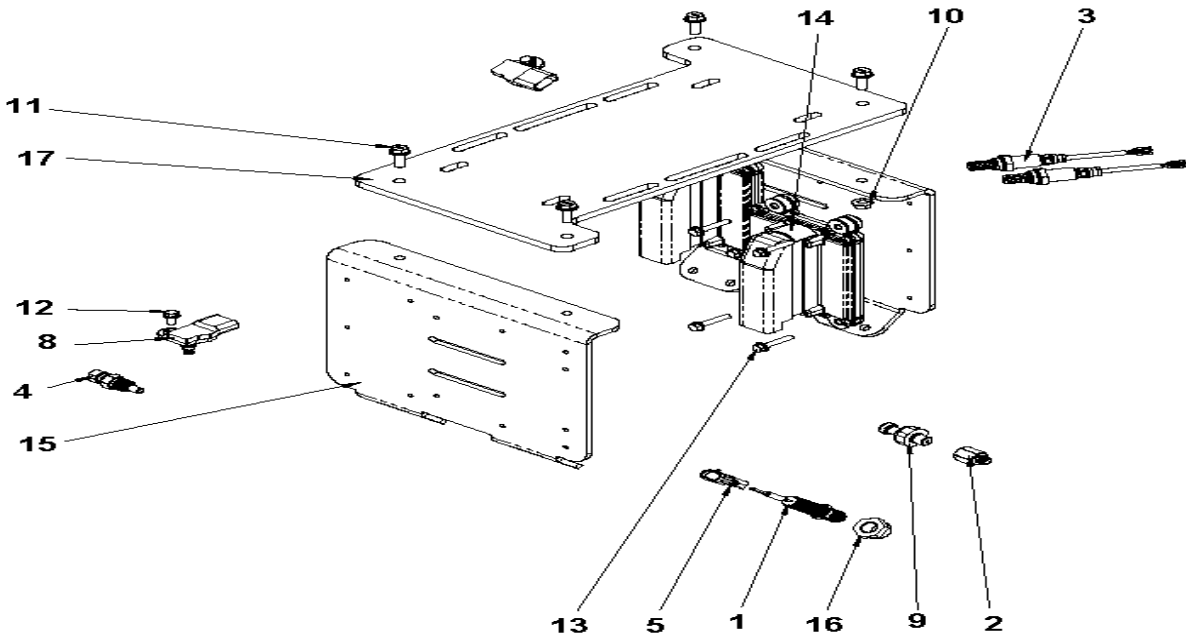


38080719

IMAGE	PART NUMBER	DESCRIPTION	QTY		NOTES
1	32501131	FITTING	2	%	
2	33500771	FILTER TOP	2	\$	
3	33500774	ELEMENT	2	@	
4	33500916	BASE	2	\$	
5	35000449	BOLT	8	\$	
6	35000699	NUT	4	%	
7	55000002	EXTENDER	2	\$	
8	55000003	ROD	2	\$	



ELECTRICAL - 22L

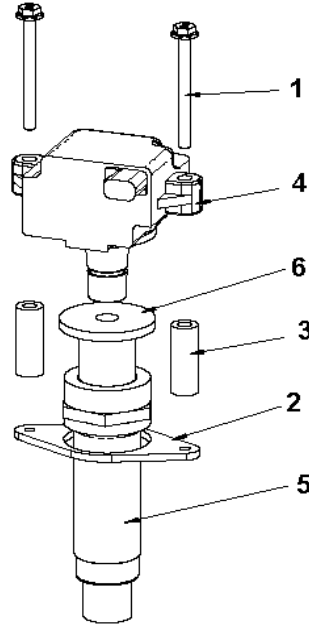


58030309

IMAGE	PART NUMBER	DESCRIPTION	QTY		NOTES
1	12500302	CAM SENSOR	1	@	
2	32501149	FITTING	1	\$	
3	32501267	O2 SENSOR	4	@	SHIP LOOSE ITEM
4	33000376	COOLANT SENSOR	1	@	IN FRONT OF BLOCK
5	33000497	CONNECTOR	1	%	
6	33000498	TERMINAL	2	&	
7	33000499	SEAL	2	\$	
8	33000841	TMAP SENSOR	4	@	IN THROTTLE BODY & CAC PIPES
9	33000945	OIL PRESSURE SENSOR	1	@	IN OIL FILTER HSG
10	35000021	NUT	4	&	
11	35000452	BOLT	4	^	
12	35000498	BOLT	4	<	
13	35000531	BOLT	8	>	
14	58901008	ECU MASTER	1	%	PROGRAMMED - STANDBY
14	58901009	ECU SLAVE	1	^	PROGRAMMED - STANDBY
14	58901215	ECU MASTER	1	@	PROGRAMMED- PRIME
14	58901216	ECU SLAVE	1	@	PROGRAMMED- PRIME
15	52500073	MOUNT	2	\$	
16	52500022	FITTING	1	\$	
17	52500055	BRACKET	1	#	



IGNITION COIL - 22L

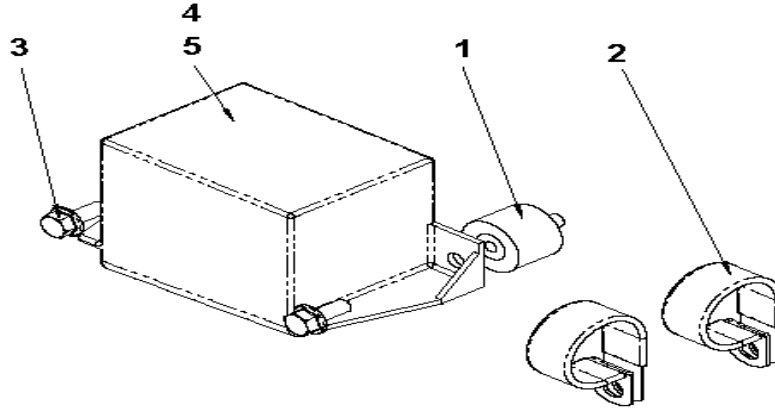


58030306

IMAGE	PART NUMBER	DESCRIPTION	QTY		NOTES
1	35000685	BOLT	24	%	
2	53000002	FLANGE	12	^	
3	53000003	SPACER	24	&	
4	53000004	IGNITION COIL	12	@	PART OF 53000041
5	53000006	COIL MOUNT	12	\$	
6	53000008	COIL BOOT	12	@	PART OF 53000041
NO IMAGE	53000041	COIL AND BOOT ASSY	12	&	INCLUDES 4, 6



WIRE HARNESS - 22L

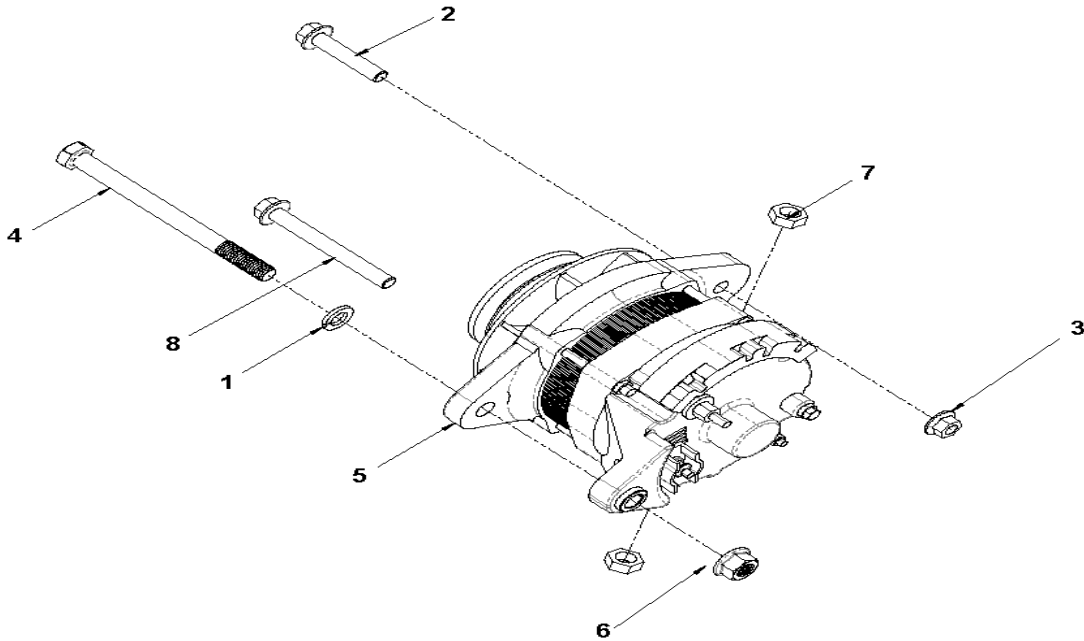


58030307

IMAGE	PART NUMBER	DESCRIPTION	QTY		NOTES
1	32500899	ISOLATOR	2	\$	
2	32501609	CLAMP	2	\$	
3	35000498	BOLT	2	%	
4	52500099	MASTER HARNESS	1	^	
5	52500100	SLAVE HARNESS	1	%	
NO IMAGE	52500028	IGNITION HARNESS	2	%	
HARNESS PARTS	PART NUMBER	DESCRIPTION	(QTY)		NOTES
	107095	24V RELAY—RECTANGLE	1	\$	
	107096	24V RELAY—SQUARE	1	\$	
	46243	50 AMP MAXI FUSE	1	%	
	46253	5 AMP MINI FUSE	2	^	
	46257	20 AMP MINI FUSE	2	%	
	46240	20 AMP MAXI FUSE	1	&	
MISC PARTS	PART NUMBER	DESCRIPTION	(QTY)		NOTES
	101554	DIAGNOISTIC ECOM CABLE	1	@	AVAILABLE FOR SALE



ALTERNATOR - 22L

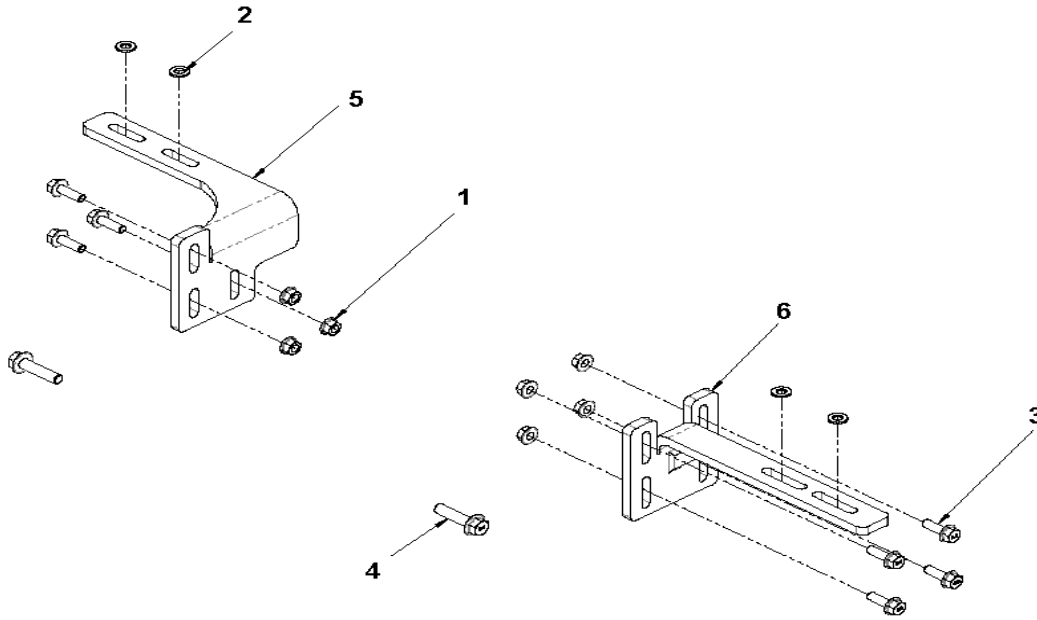


58040302

IMAGE	PART NUMBER	DESCRIPTION	QTY		NOTES
1	35000079	WASHER	1	%	
2	35000436	BOLT	1	^	
3	35000548	NUT	1	&	
4	35000690	BOLT	1	&	
5	53000017	ALTERNATOR	1	@	
6	55000010	NUT	1	^	
7	55000014	NUT	2	%	
8	55000017	BOLT	1	&	



FUEL SYSTEM MOUNTING - 22L

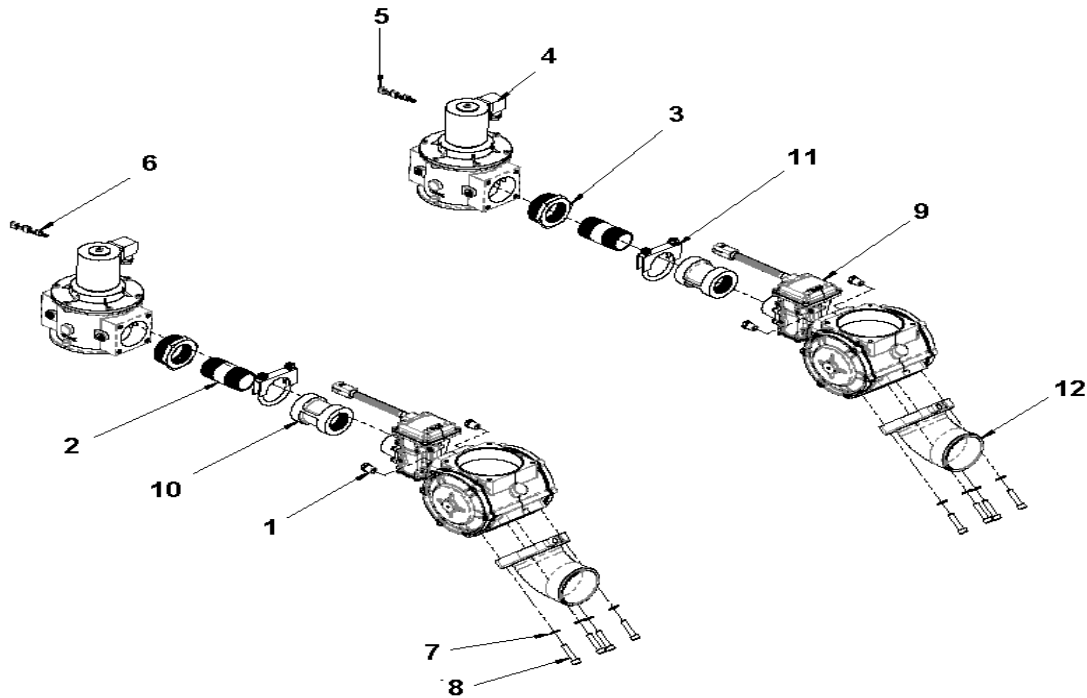


58030406

IMAGE	PART NUMBER	DESCRIPTION	QTY	NOTES
1	35000021	NUT	7	
2	35000426	WASHER	4	
2	35000452	BOLT	7	
3	35000707	BOLT	2	
4	53500071	BRACKET (LHS)	1	
5	53500072	BRACKET (RHS)	1	



FUEL SYSTEM - 22L

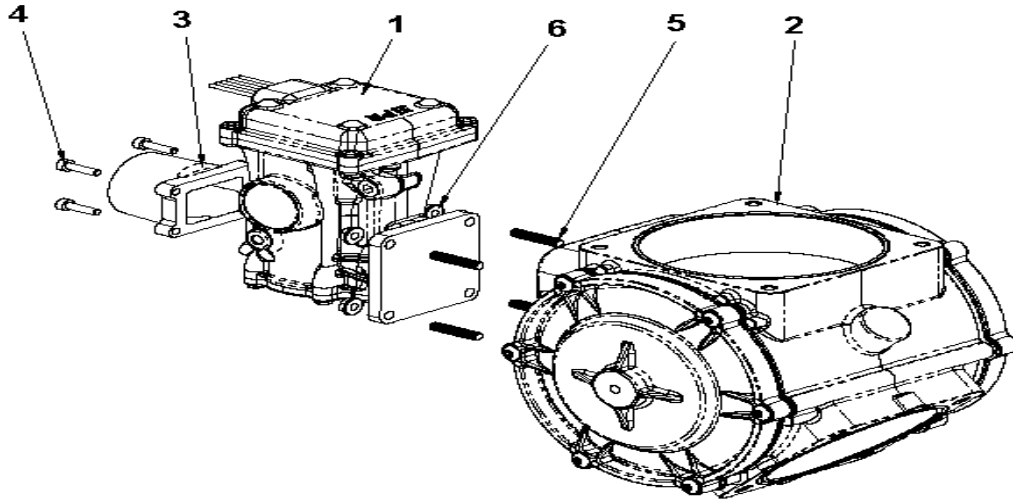


58040402

IMAGE	PART NUMBER	DESCRIPTION	QTY	NOTES
1	32500233	PLUG	4	
2	32501750	NIPPLE	2	
3	32501753	BUSHING, REDUCER	2	
4	32502060	LOCK OFF VALVE	2	
5	33001072	TERMINAL (MAILE)	4	
6	33001073	TERMINAL (FEMALE)	2	
7	35000361	WASHER, LOCK	8	
8	35000405	BOLT	8	
9	38080463	EPR / MIXER KIT	2	
10	52500006	COUPLER	2	
11	52500065	U-BOLT	2	
12	53500066	ADAPTER (MIXER TO TURBO)	2	



EPR / MIXER - 22L

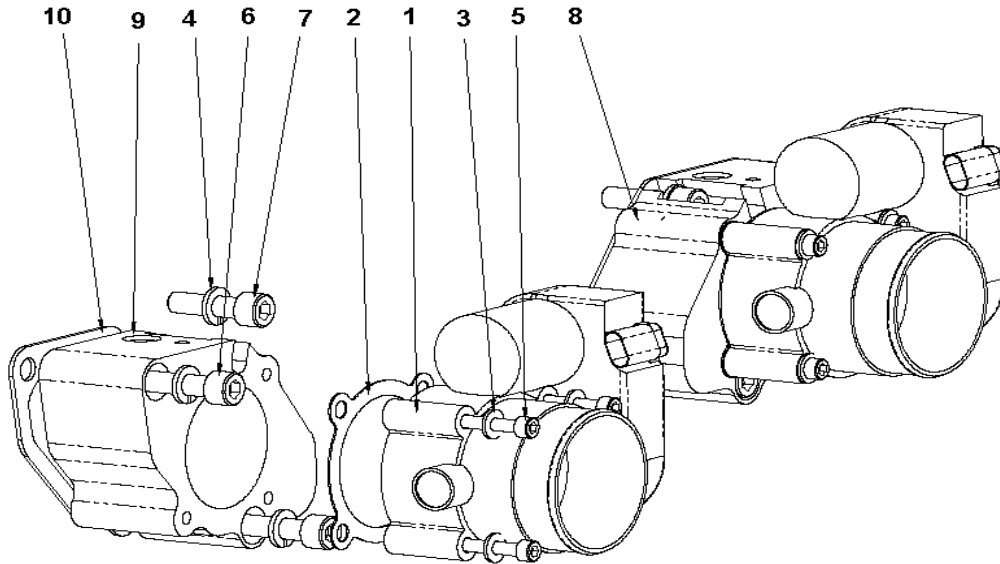


38080463

IMAGE	PART NUMBER	DESCRIPTION	QTY		NOTES
1	32501671	EPR	1	@	
2	32501690	MIXER	1	@	
3	32501779	ADAPTER	1	@	
4	35000674	BOLT	4	%	
5	35000680	STUD	4	\$	
6	35000681	NUT	4	^	



INTAKE / THROTTLE BODY - 22L

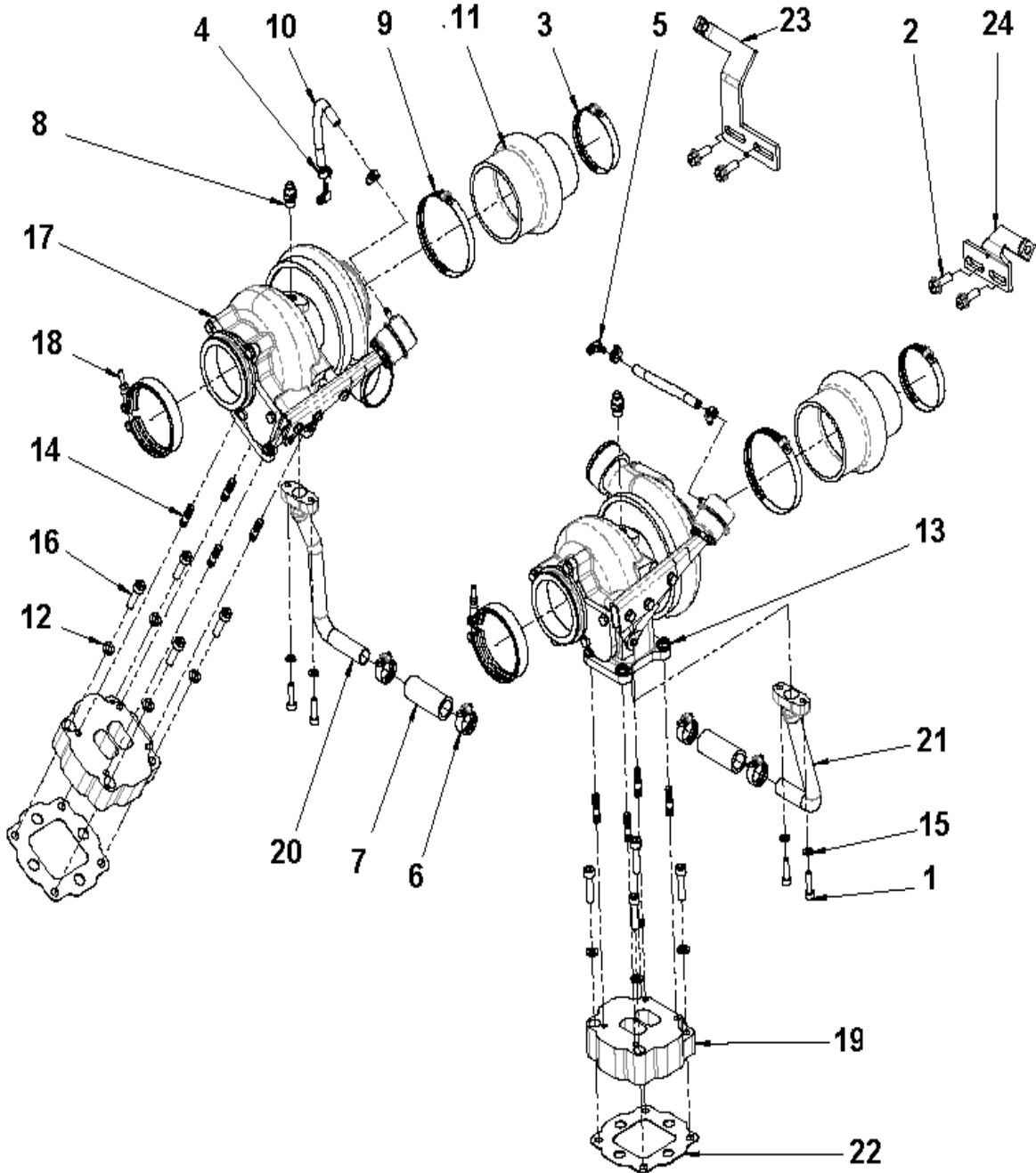


58030800

IMAGE	PART NUMBER	DESCRIPTION	QTY		NOTES
1	32500662	THROTTLE BODY	2	@	
2	32500715	GASKET	2	@	IN KIT A
3	32501417	WASHER	8	\$	
4	35000046	WASHER	6	\$	
5	35000335	SCREW	8	%	
6	35000492	BOLT	4	^	
7	35000493	BOLT	2	%	
8	52500019	THROTTLE PLATE (LH)	1	&	
9	52500020	THROTTEL PLATE (RH)	1	%	
10	610993	GASKET, INTAKE MANIFOLD	2	@	IN KIT A



TURBOCHARGER - 22L



58050802



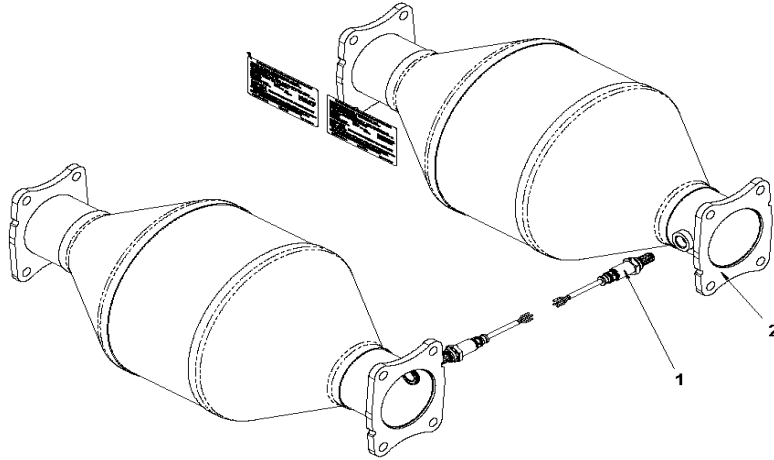
TURBOCHARGER - 22L

58050802

IMAGE	PART NUMBER	DESCRIPTION	QTY		NOTES
1	15000400	BOLT	4	\$	
2	15000407	BOLT	4	\$	
3	32000138	CLAMP, HOSE	2	%	
4	32500208	CLAMP	4	^	
5	32500247	FITTING	2	%	
6	32500318	CLAMP, HOSE	4	&	
7	32500595	HOSE, OIL DRAIN	8 IN	%	
8	32500597	FITTING, OIL SUPPLY TURBO	2	^	
9	32500622	CLAMP, HOSE	2	\$	
10	32500623	HOSE	12 IN	\$	
11	33500184	HOSE	2	%	
12	35000046	LOCK WASHER	8	^	
13	35000196	NUT	8	%	
14	35000302	STUD	8	&	
15	35000509	LOCK WASHER	4	^	
16	35000692	BOLT	8	&	
17	52500001	TURBOCHARGER	2	@	
18	52500074	CLAMP	2	\$	
19	53500017	ADAPTER (EXH DRY TURBO)	2	\$	
20	53500022	TUBE, OIL DRAIN LH	1	%	
21	53500023	TUBE, OIL DRAIN RH	1	^	
22	53500035	GASKET, TURBO ADAPTER	2	%	
23	53500069	BRACKET, ADAPTER LH	1	&	
24	53500070	BRACKET, ADAPTER RH	1	%	
NO IMAGE	106613	OIL DRAIN GASKET	2	@	
NO IMAGE	106614	TURBO GASKET	2	@	



CATALYST - 22L

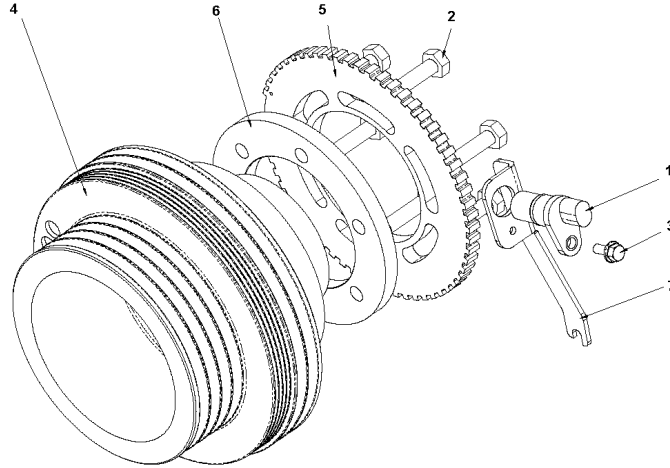


58050801

IMAGE	PART NUMBER	DESCRIPTION	QTY		NOTES
1	32501267	O2 SENSOR	2	@	
2	38900669	CATALYST	2	@	
NO IMAGE	33500805	CATALYST MUFFLER GASKET	4	@	IN KIT A



FRONT DRIVE - 22L



58030613

IMAGE	PART NUMBER	DESCRIPTION	QTY		NOTES
1	32500930	SPEED TIMING WHEEL SENSOR	1	@	
2	35000151	BOLT	6	\$	
3	35000498	BOLT	1	\$	
4	50100018	CRANKSHAFT PULLEY	1	%	
5	52500135	CRANK SPEED INDICATOR	1	^	OLD# 50100019
6	50100020	SPACER	1	%	
7	50100021	BRACKET	1	&	
8	53000021	BELT (CRANK / WATERPUMP)	1	%	
9	53000039	BELT (FAN)	4	@	



CCV RACCOR - 22L

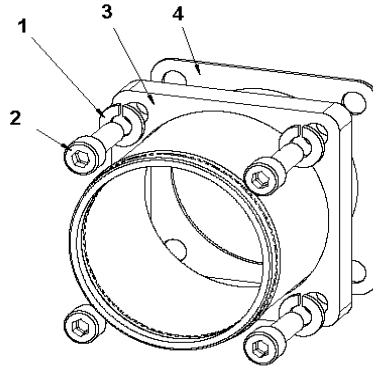
NO IMAGE AVAILABLE

58030806

IMAGE	PART NUMBER	DESCRIPTION	QTY		NOTES
1	12000469	HOSE	16"	\$	
2	15000268	BOLT	2	\$	
3	32000148	CLAMP	4	%	
4	32000626	CLAMP	2	^	
5	32500135	HOSE, PCV	62"	%	
6	32501131	FITTING	1	&	
7	32501134	CLAMP	4	\$	
8	32501182	FITTING	1	\$	
9	32501647	HOSE	34"	%	
10	35000021	NUT	4	^	
11	35000697	BOLT	4	%	
12	52500069	BUSHING	1	&	
13	52500122	NIPPLE	1	^	
14	52500123	ELBOW	1	^	
15	52500124	ADAPTER	1	\$	
16	52500125	TEE	2	\$	
17	52500126	BUSHING	1	%	
18	53500061	CANISTER	1	^	
19	53500063	BRACKET	4	%	
NO IMAGE	107127	FILTER - REPLACEMENT	1	@	



WATER INLET - 22L

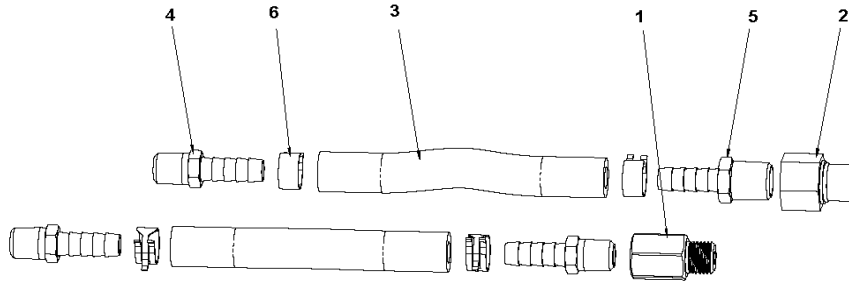


58030601

IMAGE	PART NUMBER	DESCRIPTION	QTY		NOTES
1	35000361	WASHER	4	\$	
2	35000625	BOLT	4	%	
3	52000010	CONNECTION	1	^	
4	611214	GASKET	1	@	IN KIT A



AIR BLEED - 22L

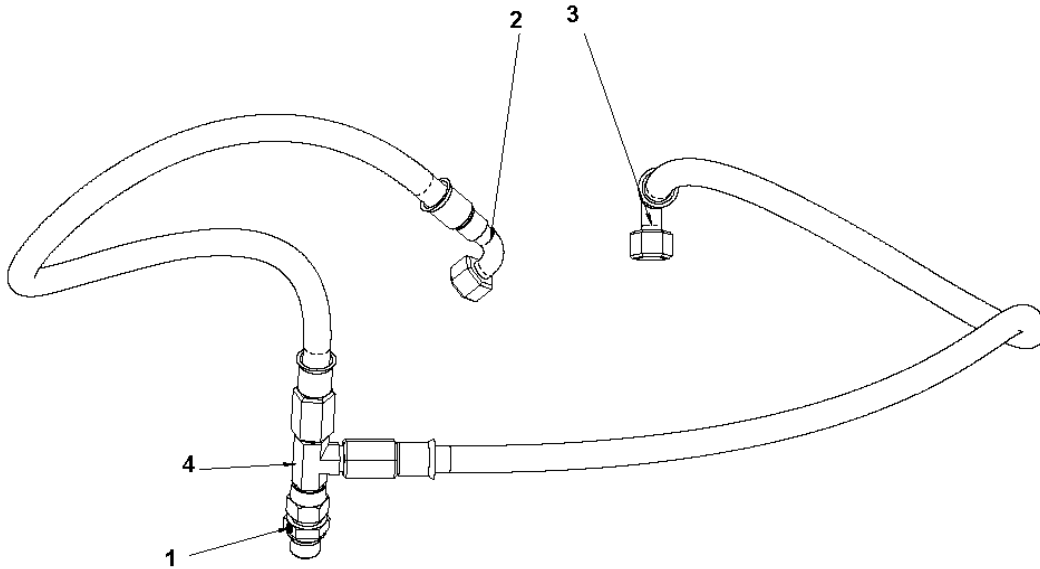


58030606

IMAGE	PART NUMBER	DESCRIPTION	QTY	NOTES
1	12700391	FITTING	1	
2	13000398	FITTING	1	
3	32000254	HOSE	192"	
4	32500520	FITTING	3	
5	32500733	FITTING	1	
6	32501134	CLAMP	4	



OIL SUPPLY - 22L

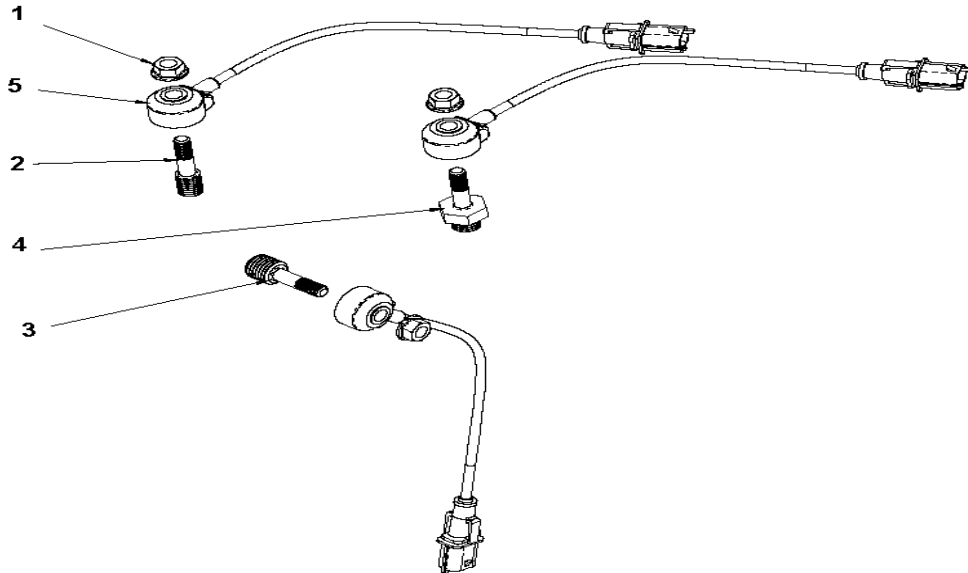


58030802

IMAGE	PART NUMBER	DESCRIPTION	QTY	NOTES
1	32500597	OIL FITTING	1	
2	53500007	HOSE	1	
3	53500008	HOSE	1	
4	53500021	T-SWIVEL	1	



KNOCK SENSOR - 22L



58040300

IMAGE	PART NUMBER	DESCRIPTION	QTY		NOTES
1	35000021	NUT	3	^	
2	52500075	STUD	1	%	
3	52500077	STUD	1	%	
4	52500078	STUD	1	#	
5	53000011	SENSOR	4	@	