

# QuickFit™

INSTALLATION GUIDE

KIT # 300752

**ALTORFER APS95G/APS165G**



Tool Requirements:

- *Loctite® L592 or equivalent*
- *Drill w/ bits up to 1/2" dia.*
- *Wrenches up to 1 1/2"*
- *Standard & Metric socket sets*
- *Standard Allen key set to 3/4"*

FOR TECHNICAL ASSISTANCE CALL 1-800-255-2250

RPM Industries, LLC • 1660 Jefferson Ave. • Washington, PA 15301  
Phone: 1-800-255-2250 • [www.rpmindustries.com](http://www.rpmindustries.com) • M-F 8:00AM - 5:00PM EST

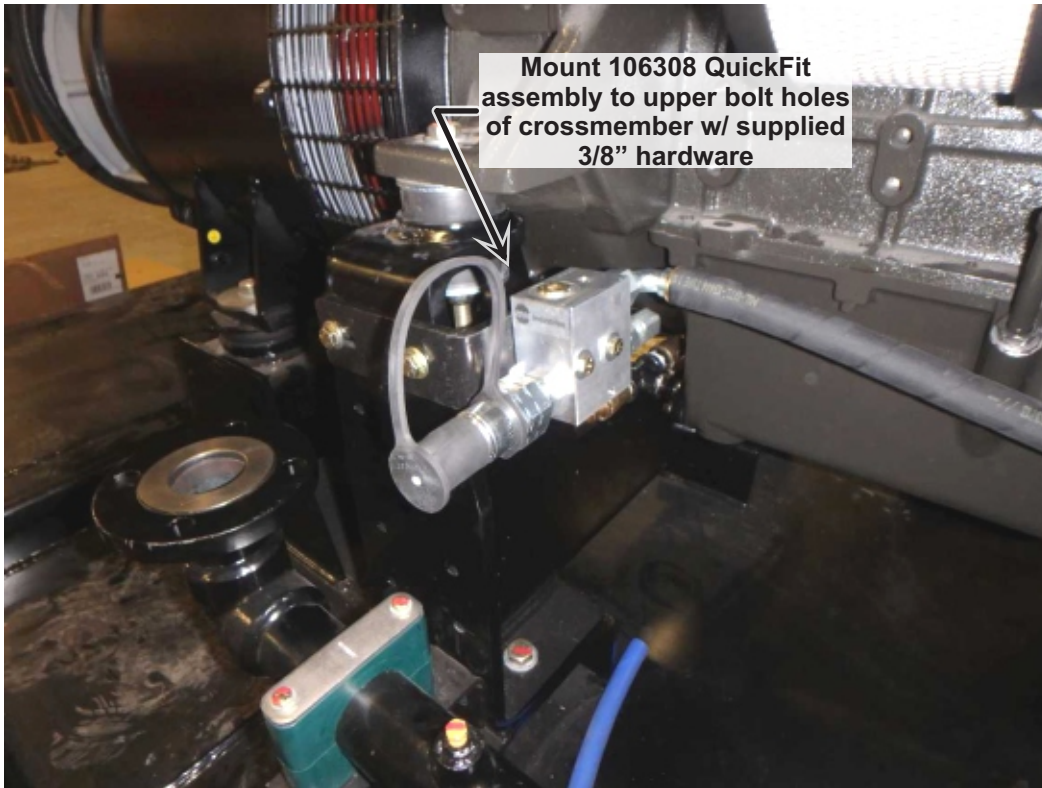


**13030**

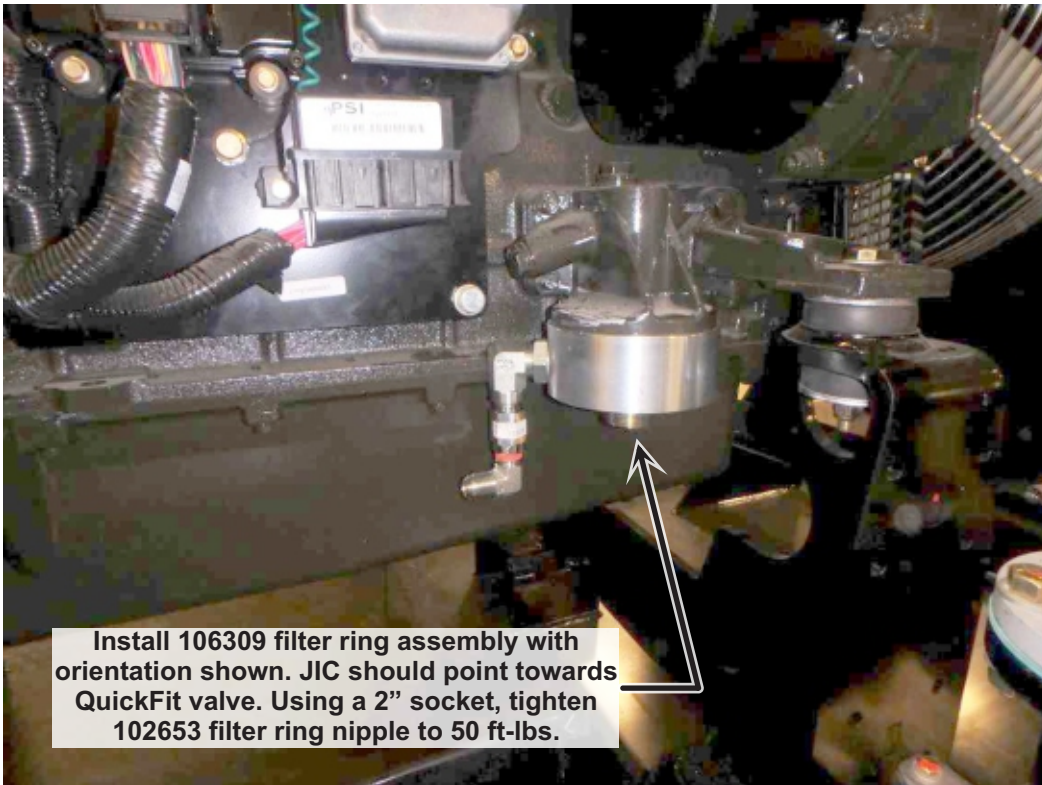
# QuickFit™

## INSTALLATION GUIDE

### 1. QuickFit Valve Installation



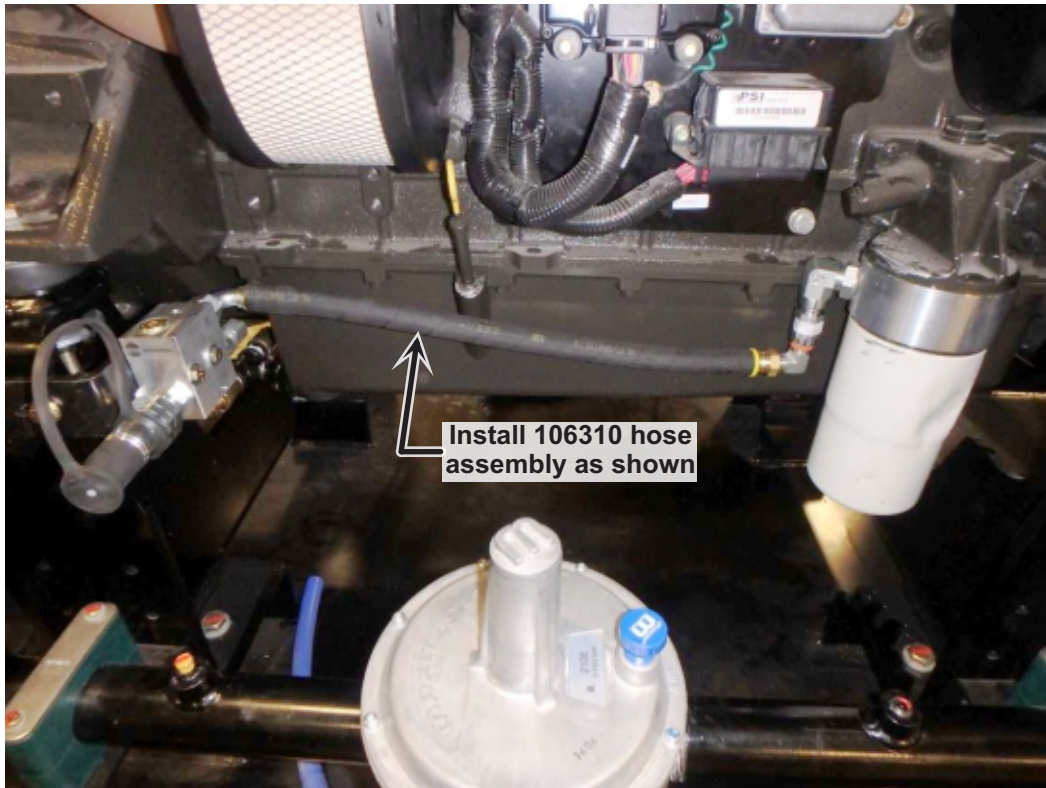
### 2. Engine Pressure Port Installation



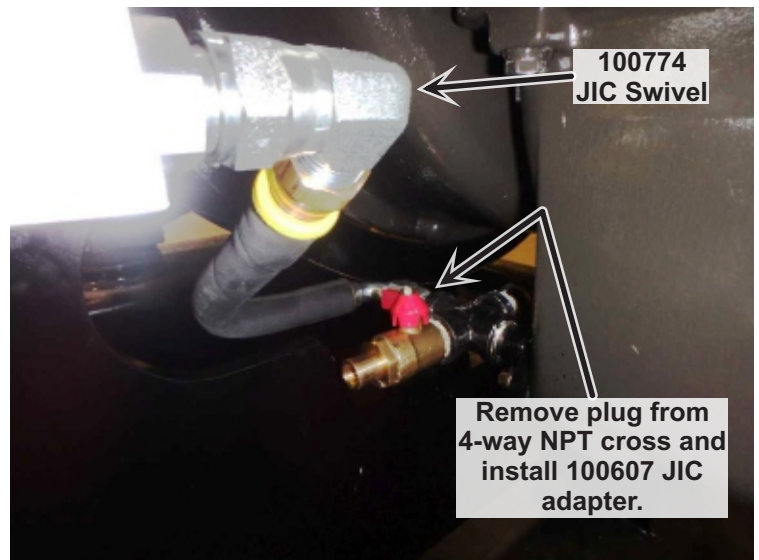
# QuickFit™

## INSTALLATION GUIDE

### 3. Pressure Line Installation



### 4. Suction Line Installation

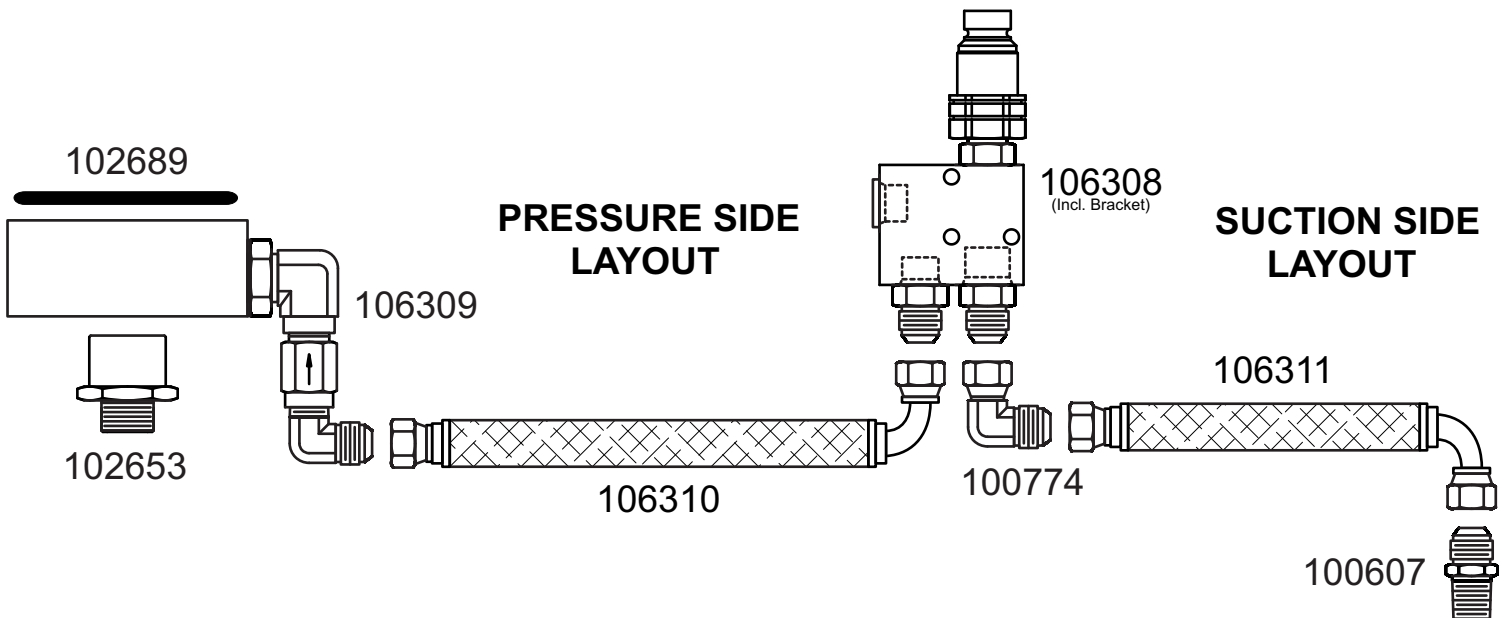
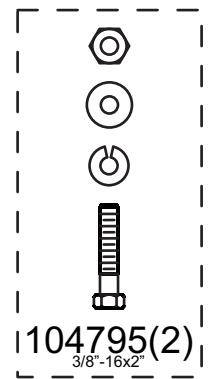


# QuickFit™

## INSTALLATION GUIDE

### Plumbing Diagram (Supplied Kit)

Part #	New	Part Description
100607	1	Adapter, 8MNPT - 10MJIC
100774	1	Adapter Elbow, Swivel 90° 10MJIC - 10F JIC
102653	1	Nipple, Large Filter Ring, 1-1/2"x12
102689	1	O-Ring, 3-3/4" #343, Large Filter Ring
104795	2	Bolt Assm, 3/8-16 x 2.0, H, S, 8, ZD
106308	1	QuickFit Valve Assembly for Altorfer APS95/165/230G
106309	1	Special Filter Ring Assy, Altorfer APS95/165
106310	1	Hose Assy - 2565 #10 - STR(10 JIC), ELB(10 JIC), 19.5"
106311	1	Hose Assy - 2565 #10 - STR(10 JIC), ELB(10 JIC), 10"

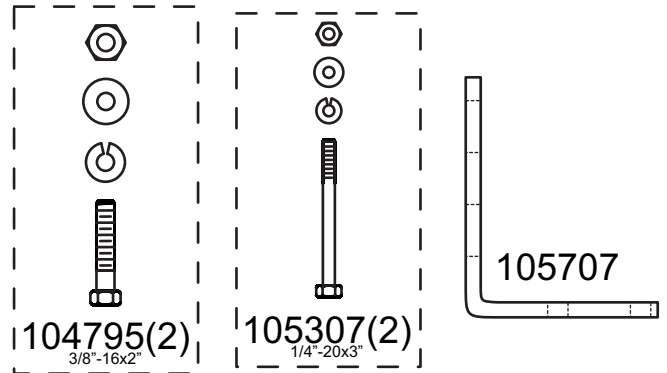


# QuickFit™

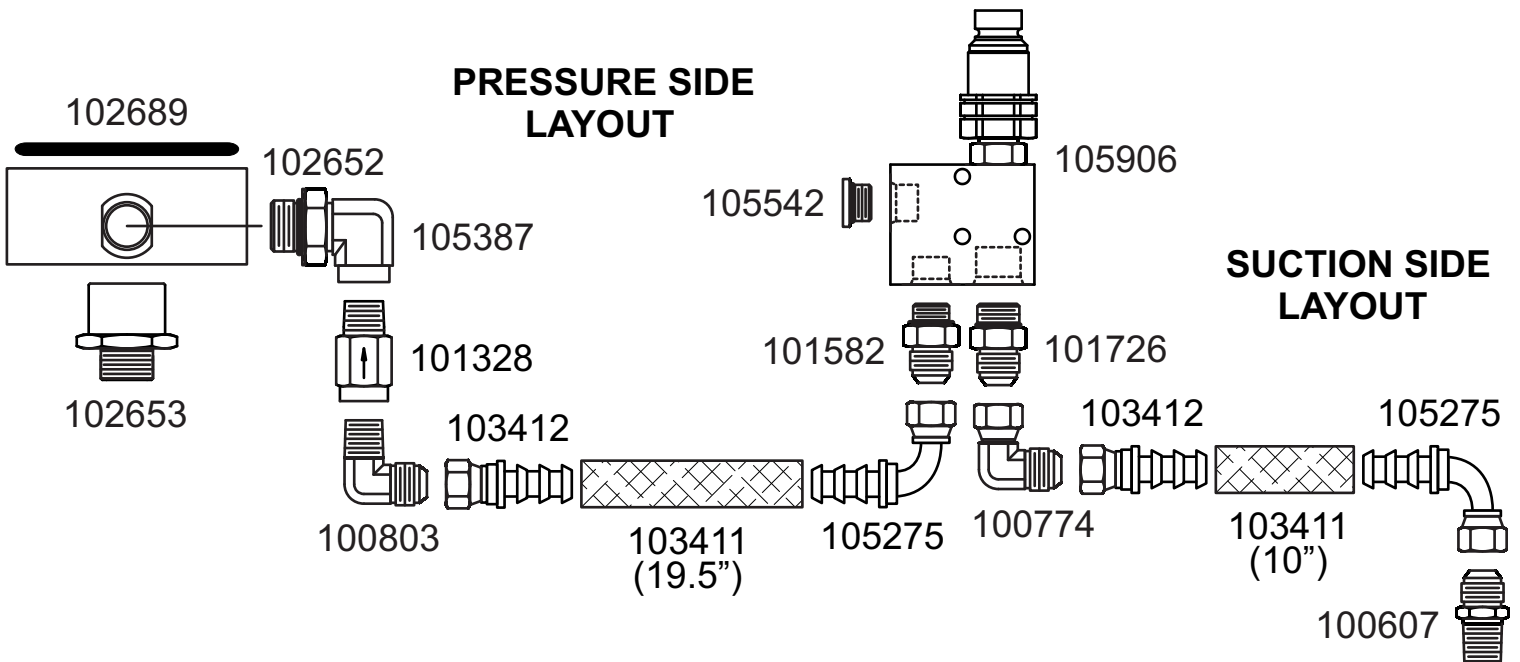
## INSTALLATION GUIDE

### Plumbing Diagram (Individual Parts)

Part #	Qty	Part Description
100607	1	Adapter, 8M NPT - 10M JIC
100774	1	Adapter Elbow, Swivel 90° 10M JIC - 10F JIC
100803	1	Adapter Elbow, 90° 8M NPT - 10M JIC
101328	1	Check Valve, Piston 8F NPT - 8M NPT
101582	1	Adapter, 8M STOR - 10M JIC
101726	1	Adapter, 10M STOR - 10M JIC
102652	1	Large Filter Ring, 5" O.D. -12 STOR Port
102653	1	Nipple, Large Filter Ring, 1-1/2"x12
102689	1	O-Ring, 3-3/4" #343, Large Filter Ring
103411	29.5"	Hose, Push-On (barb), 5/8 ID (#10)
103412	2	Hose Fitting, STR #10 Socketless - 10F JIC
104795	2	Bolt Assm, 3/8-16 x 2.0, H, S, 8, ZD
105275	2	Hose Fitting, ELB #10 Socketless - 10F JIC
105307	2	Bolt Assm, 1/4-20 x 3.0, H, S, 8, ZD
105387	1	Adapter Elbow, 90° 12M STOR - 8F NPT
105542	1	PLUG 8M STOR EPCO, 5/16" Allen
105707	1	Bracket, Extended - QuickFit Small & Medium
105906	1	Small QuickFit Valve w/ 1/2" FFQD



### PRESSURE SIDE LAYOUT



### SUCTION SIDE LAYOUT