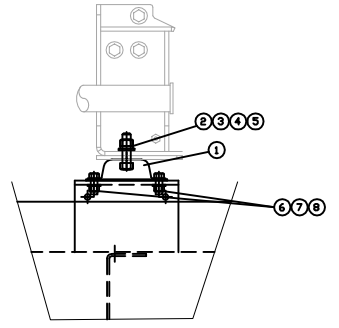


VIEW A-A  
SCALE=2



VIEW B-B  
SCALE=2

ITEM	QTY.	DESCRIPTION	WEIGHT
1	4	E15B - MOUNT ASSEMBLY	2
2	4	7X-0366 - BOLT 3/4"x10NCx2.00"Lg	-
3	4	8T-4994 - FLAT WASHER	1
4	4	3B-4512 - LOCK WASHER	-
5	4	6V-8182 - NUT 3/4"x10NC	-
6	8	8T-8917 - BOLT 1/2"x13NCx1.25"Lg	-
7	16	8T-4223 - FLAT WASHER	-
8	8	6V-8188 - NUT 1/2"x13NC	-
9	2	S2E101 - REDUCER BUSHING	1
10	1	PPP34 - 3/4" NPT PLUG	-
11	1	49B100-01 - APS150 FUEL BASE ASSEMBLY	3,032
12	2	198-2970 - 3/8-16NC WHIZLOCK NUT	-
13	1	S1E101 - LRV FUEL LEVEL SWITCH ASSEMBLY	1
14	1	S1E102 - RUPTURE BASIN SWITCH	2
15	1	S4E115 - FUEL LEVEL SENDER	2
16	1	PPC2 - 2" NPT CAP	-
17	1	GAUGE 12 - 12" SIGHT LEVEL GAUGE	-
18	4	367-03-304F - 3" NPT FUEL EMERGENCY TANK VENT	2
19	2	F34TV - 3/4" NPT FUEL TANK VENT	1
20	2	PNPL312 - 3" NPT x 12" NIPPLE	15
21	2	PP3C - 3" NPT COUPLING	4
22	1	PNPL324 - 3/4" NPT x 24" NIPPLE	1
23	1	PNPL346 - 3/4" NPT x 6" NIPPLE	-
24	1	S2C174 - FLG. SWITCH BOX	3
25	1	PPP2 - 2" NPT PLUG	1
26	1	S2E109 - GENERATOR TO BASE CABLE ASSEMBLY	1
27	1	1B3174 - 3/4" NPT RECESSED PLUG	1
TOTAL			3,069

10/08/12 BRL	03/27/12 BRL	10/27/12 BRL	DATE BY	<b>ALTORFER POWER SYSTEMS</b> 6315 W. FAUBER RD. PHONE (309) 697-1234 BARTONVILLE, IL 61807 FAX (309) 282-7546
CHANGED HARDWARE 10 ADDED HARDWARE 27	CHANGED HARDWARE 2,3,4,5	CHANGED HARDWARE 10,20,21	CHANGE NOTICE	
THIS DOCUMENT CONTAINS PROPRIETARY INFORMATION OF ALTORFER, INC. WITHOUT THE WRITTEN PERMISSION OF ALTORFER, INC. ANY COPYING OR OTHER USE EXCEPT THAT FOR WHICH IT WAS INTENDED IS PROHIBITED.				ALL DIMENSIONS IN INCHES UNLESS OTHERWISE SPECIFIED TOLERANCES: XX ± 0.100 XXX ± 0.060 XXXX ± 0.005 ANGULAR ± 1°
FILE		PROJECT REFERENCE		
DF 49A		APS150 RENTAL PACKAGE		
SCALE/SHEET SIZE		DRAWN BY		
1=10/D		B. LOHNES		
THIRD ANGLE PROJECTION		QUOTE NUMBER		
SHEET		DATE		
1 OF 1		11/11/08		
TITLE			WORK ORDER NUMBER	
APS150 BASE MOUNTING GROUP			-	
DRAWING NUMBER			49A107-03	