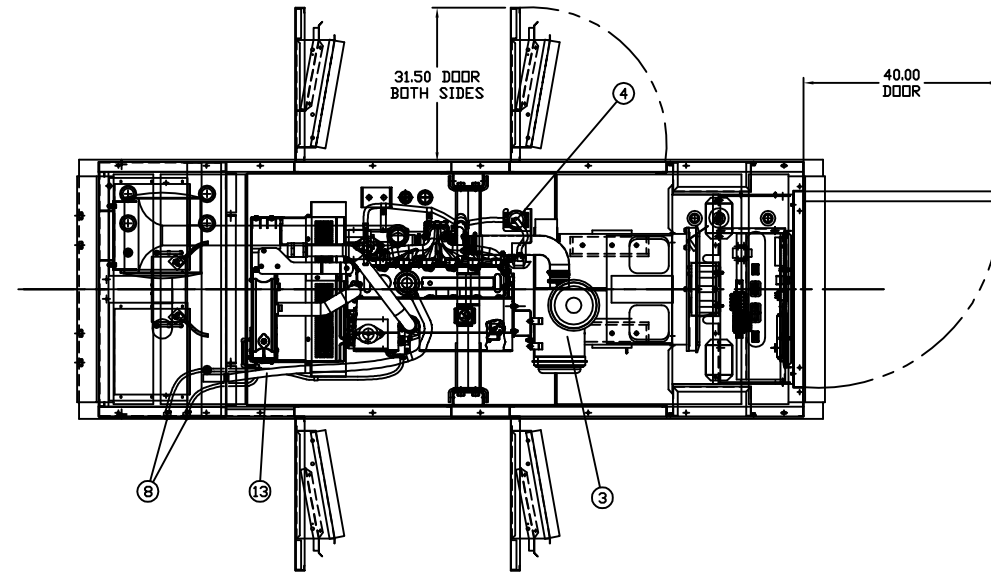
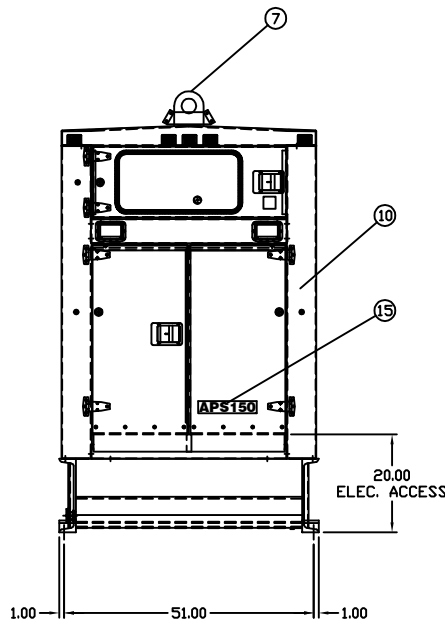


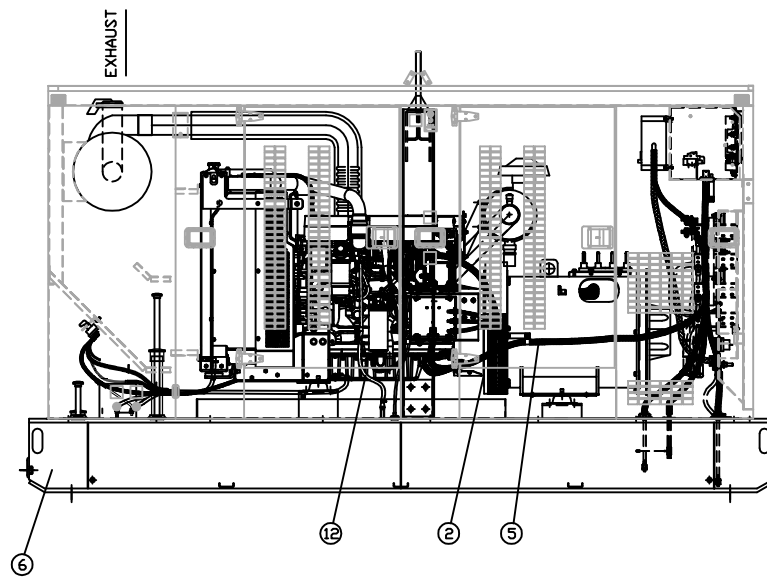
REAR VIEW
WITH LOAD DOORS OPEN



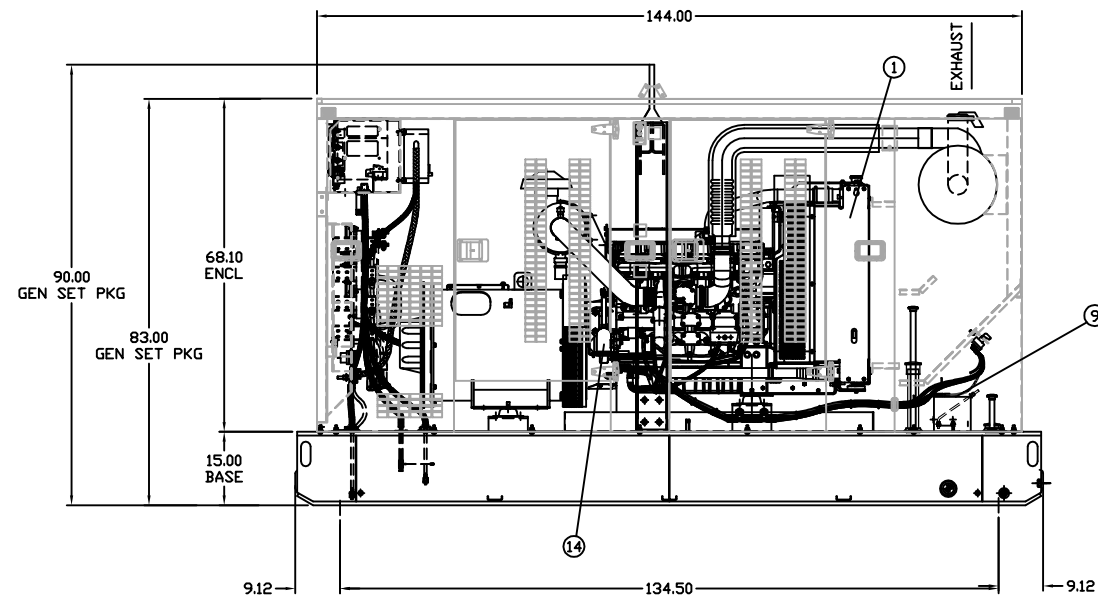
TOP VIEW
SHOWN WITH ROOF AS. REMOVED



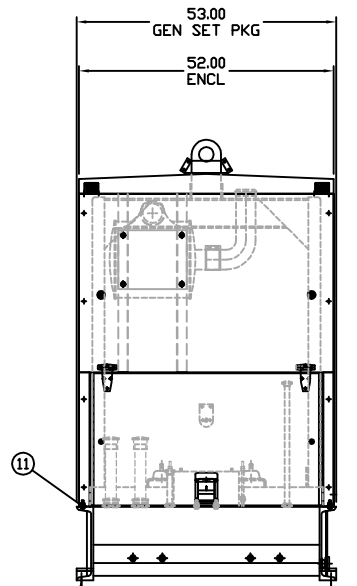
REAR VIEW



LEFT SIDE



RIGHT SIDE



FRONT VIEW

ITEM	QTY.	PART NO.	DESCRIPTION	WEIGHT
1	1	101-2845	BULK COOLANT	
2	1	49A103	GENERATOR COUPLING GROUP	
3	1	49A104	AIR CLEANER MOUNTING GROUP	
4	1	49A105	JACKET WATER HEATER MOUNTING GROUP	
5	1	49A203	APS150A ENGINE HARNESS MOUNTING GROUP - EMCP4.2	
6	1	49A107	BASE MOUNTING GROUP	
7	1	49A108	LIFT ARCH MOUNTING GROUP	
8	1	49A109	OIL AND WATER DRAINS GROUP	
9	1	49A110	STARTING BATTERY GROUP	
10	1	49A113	APS150 DV ENCLOSURE GROUP	
11	1	49A116	APS150 DV ENCLOSURE MOUNTING GROUP	
12	1	49A119	APS150 FUEL LINES GROUP	
13	1	49A120	APS150 FUMES DISPOSAL GROUP	
14	1	49A122	JACKET WATER HEATER WIRING GROUP	
15	1	49A215	APS150 DV RENTAL PACKAGE W/ROTARY SWITCH - MARKINGS GROUP	

PACKAGE WEIGHTS:
 GENERATOR SET PACKAGE WITHOUT TRAILER NO FUEL= 7,860 lbs.
 GENERATOR SET PACKAGE WITHOUT TRAILER FULL FUEL= 10,110 lbs.

		6315 W. FAUBER RD. PHONE (309) 697-1234 BARTONVILLE, IL 61607 FAX (309) 282-7546		
		THIS DOCUMENT CONTAINS PROPRIETARY INFORMATION OF ALTORFER, INC. WITHOUT THE WRITTEN PERMISSION OF ALTORFER, INC., ANY COPYING OR OTHER USE EXCEPT THAT FOR WHICH IT WAS INTENDED IS PROHIBITED.		
CHANGE NOTICE 1 1	ALL DIMENSIONS IN INCHES UNLESS OTHERWISE SPECIFIED	FILE DF/49A	PROJECT REFERENCE APS150A RENTAL PACKAGE	
	TOLERANCES: .XX ± 0.100 ANGLE .XXX ± 0.060 PROJECTION .XXX ± 0.005	THIRD ANGLE PROJECTION	SCALE/SHEET SIZE 1=20/D	DRAWN BY B. L. OHNES
	ANGULAR ± 1°		SHEET 1 OF 1	DATE 02-10-12
	TITLE APS150A DUAL VOLTAGE RENTAL PACKAGE ARRANGEMENT W/ ROTARY SWITCH		QUOTE NUMBER - WORK ORDER NUMBER - DRAWING NUMBER 49A208	