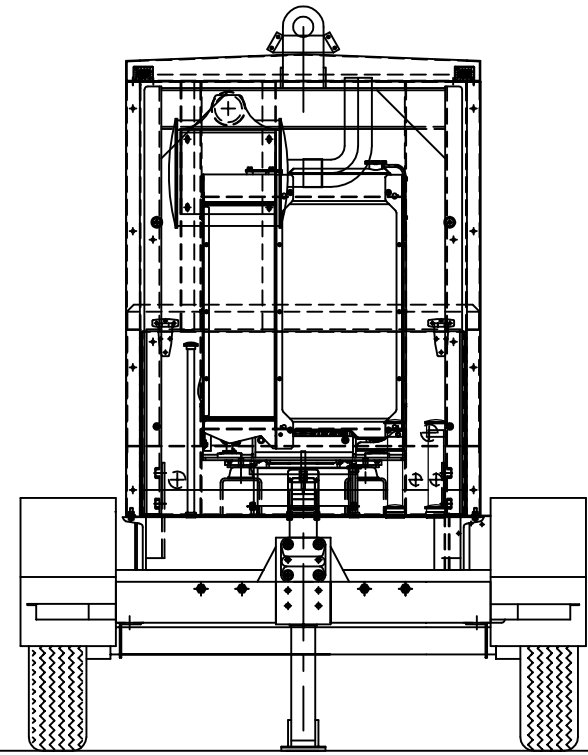
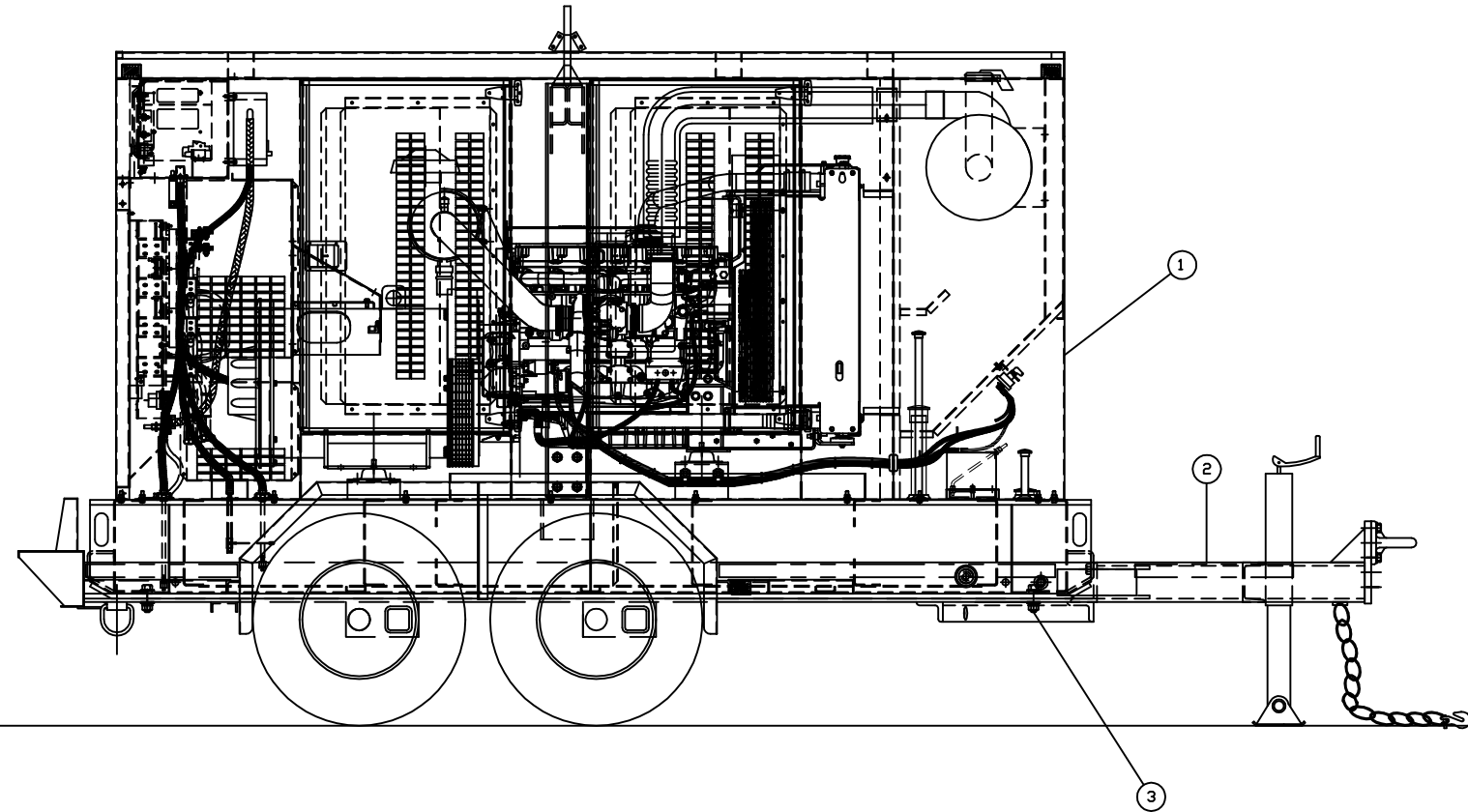
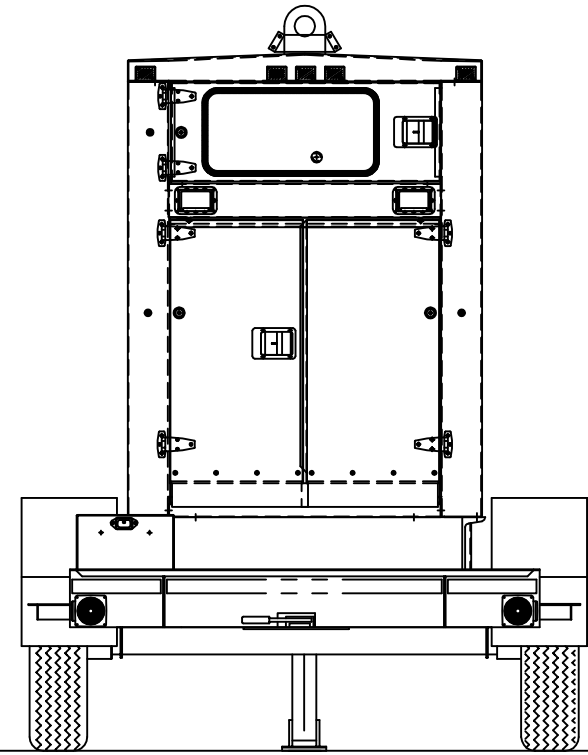
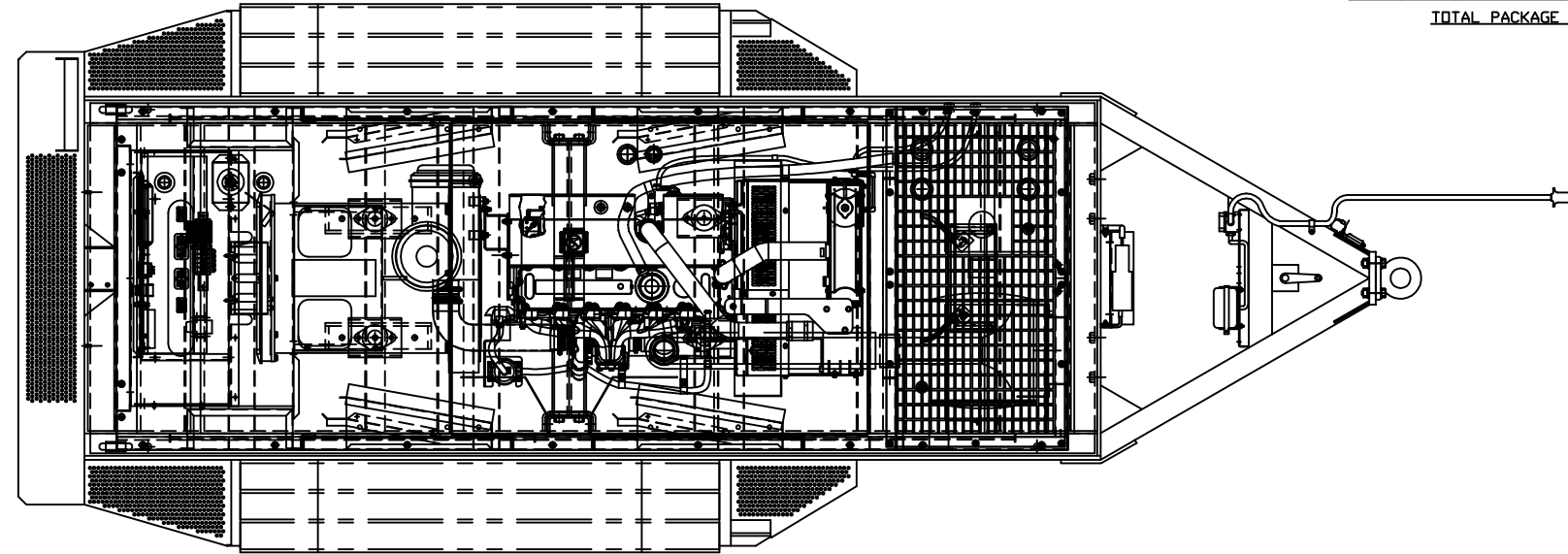


ITEM	QTY.	PART NO.	DESCRIPTION	WEIGHT
1	1	49A208	APS150 DV ARRANGEMENT W/ROTARY SWITCH W/D FUEL W/ FUEL	7,860
2	1	49A117	APS150 TRAILER GROUP	10,110
3	1	49A118	APS150 TRAILER MOUNTING GROUP	2,750

TOTAL PACKAGE WEIGHTS:

GENERATOR SET W/ TRAILER & NO FUEL= 10,850 lbs.  
 GENERATOR SET W/ TRAILER & FUEL LOAD= 13,100 lbs.



		<b>ALTORFER POWER SYSTEMS</b> 6315 W. FAUBER RD.    PHONE (309) 697-1234 BARTONVILLE, IL 61607    FAX (309) 282-7546			
		THIS DOCUMENT CONTAINS PROPRIETARY INFORMATION OF ALTORFER, INC. WITHOUT THE WRITTEN PERMISSION OF ALTORFER, INC., ANY COPYING OR OTHER USE EXCEPT THAT FOR WHICH IT WAS INTENDED IS PROHIBITED.			
CHANGE NOTICE NO. 1	ALL DIMENSIONS IN INCHES UNLESS OTHERWISE SPECIFIED	FILE DF/49A	PROJECT REFERENCE APS150A RENTAL PACKAGE		
	TOLERANCES: .XX ± 0.100 X.XX ± 0.060 X.XXX ± 0.005	THIRD ANGLE PROJECTION	SCALE/SHEET SIZE 1=20/C	DRAWN BY B. LOHNES	QUOTE NUMBER -
	ANGULAR ± 1°		SHEET 1 OF 1	DATE 02-13-12	WORK ORDER NUMBER -
	TITLE APS150A DV RENTAL PACKAGE ARRANGEMENT W/ TRAILER & ROTARY SWITCH			DRAWING NUMBER 49A209	