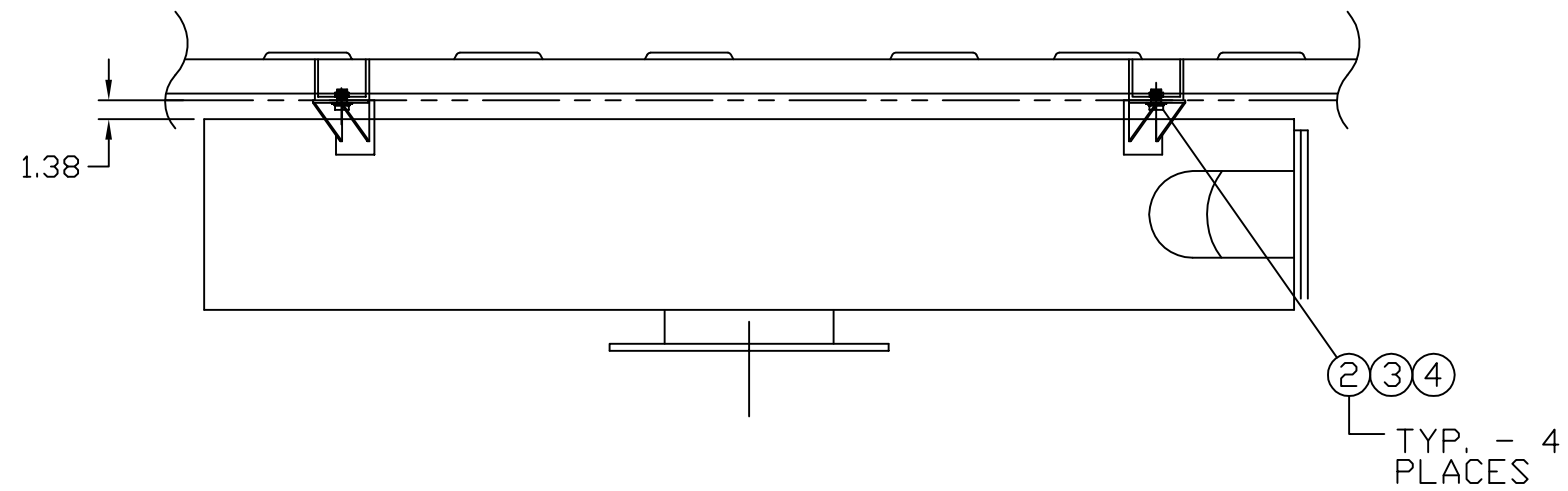
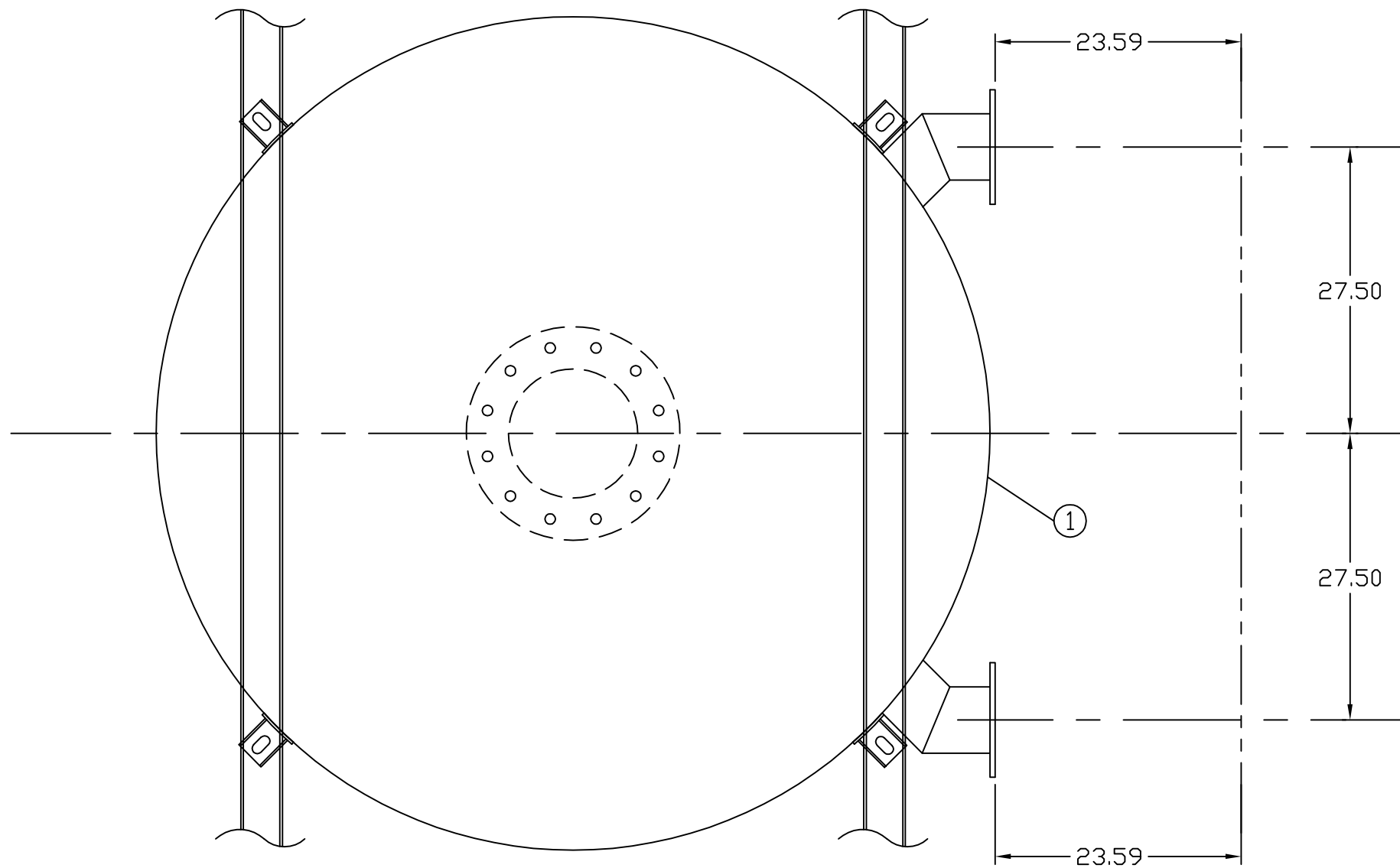


INCH 81A104



ITEM	QTY.	DESCRIPTION	WEIGHT
1	1	DHK-06X-205982 - EXHAUST SILENCER	1090 Lbs
1	4	7X-0366 - 3/4-10x2 BOLT	2 Lbs
1	4	508 - 3/4" FLAT WASHER	- Lbs
1	4	535 - LOCKWASHER	- Lbs
TOTAL			1092 Lbs

<p>ALTORFER</p> <p>6315 W. FAUBER RD. PHONE (309) 697-1234 BARTONVILLE, IL 61607 FAX (309) 282-7546</p>		<p>ALTORFER POWER SYSTEMS</p>		
		<p>THIS DOCUMENT CONTAINS PROPRIETARY INFORMATION OF ALTORFER, INC. WITHOUT THE WRITTEN PERMISSION OF ALTORFER, INC., ANY COPYING OR OTHER USE EXCEPT THAT FOR WHICH IT WAS INTENDED IS PROHIBITED</p>		
<p>CHANGE NOTICE</p> <p>ALL DIMENSIONS IN INCHES UNLESS OTHERWISE SPECIFIED</p> <p>TOLERANCES: X.X ± 0.100 X.XX ± 0.060 X.XXX ± 0.005</p> <p>ANGULAR ± 1°</p>	<p>THIRD ANGLE PROJECTION</p>	<p>FILE</p> <p>DF\81A</p>	<p>PROJECT REFERENCE</p> <p>C27/C32 POWER MODULE</p>	
		<p>SCALE/SHEET SIZE</p> <p>1=10/C</p>	<p>DRAWN BY</p> <p>D. RICHARDSON</p>	<p>QUOTE NUMBER</p>
		<p>SHEET</p> <p>1 OF 1</p>	<p>DATE</p> <p>4/26/06</p>	<p>WORK ORDER NUMBER</p>
		<p>TITLE</p> <p>EXHAUST MOUNTING SILENCER MOUNT</p>		<p>DRAWING NUMBER</p> <p>81A104</p>