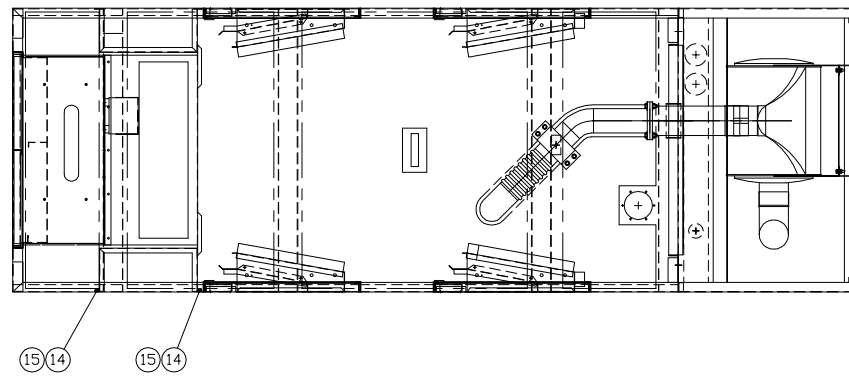
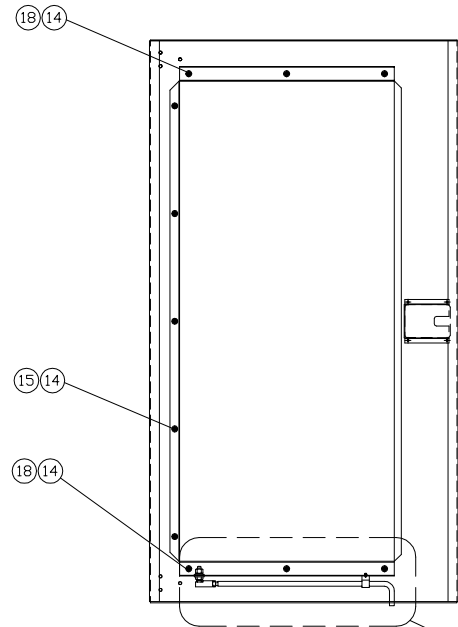
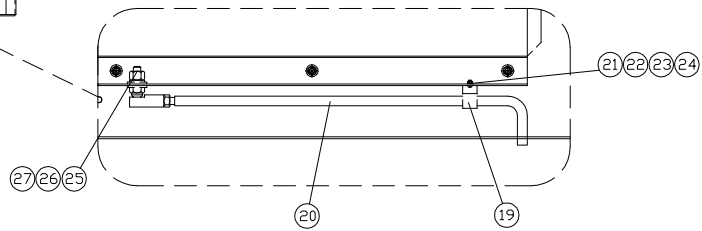


COMP	QTY	DESCRIPTION	WEIGHT
1	1	53C300/WHT - XQ300 ENCLOSURE PARTS GROUP	2,485
2	1	53D200-1 - XQ230/XQ300 SOUND FOAM KIT INSTALATION	-
3	1	53A221 - XQ230/300 ENGINE EXHAUST GROUP	174
4	1	53A411 - XQ300RM STND DUAL VOLTAGE LOAD PAN ASSEMBLY	313
5	1	54A412 - XQ300RM DUAL VOLTAGE CONTROL PANEL MOUNTING GROUP	182
6			12
7	7	HOOK/LATCH - BLACK PADLOCKABLE ENCLOSURE SLAM LATCH	-
8	7	54D150 - LATCH GASKET	-
9	28	6C-3679 - 3/16" S.S. PDP RIVET	-
10	16	317-5797 - DOOR HINGE GASKET	-
11	16	317-5796 - BLACK DOOR HINGE	-
12	16	317-5798 - HINGE GASKET - WALL	-
13	96	317-5697 - 1/4-20NCx1.00 S.S. TAPER PHILLIPS HEAD SCREW	-
14	56	3E9865 - 1/4-20NC S.S. NYLON LOCK NUT	-
15	59	8T-4205 - 1/4" S.S. FLAT WASHER	-
16	146	317-5699 - 1/4-20NC S.S. NUT	-
17	183	317-5698 - 1/4" S.S. LOCK WASHER	-
18	193	317-5700 - 1/4" S.S. NEOPREME BACKED FLAT WASHER	-
19	4	5W1943 - DOOR KEEP ROD STORAGE CLIP	-
20	4	XQ ROD - DOOR KEEP ROD GROUP	-
21	4	37405 - #6-32 KEPS LOCKNUT	-
22	12	33070 - #6 FLAT WASHER	-
23	8	0183807 - LICENSE PLATE PLASTIC SCREW	-
24	4	7K-3435 - #6-32x0.50 S.S. SCREW	-
25	8	94709A516 - 3/8" S.S. NEOPREME BACKED FLAT WASHER	-
26	4	71067 - 3/8" S.S. LOCK WASHER	-
27	4	70732 - 3/8-24NF S.S. NUT	-
28	96	0126271 - 1/8" S.S. PDP RIVET	-
29	8	T502HNDL - BLACK GRAB HANDLE	-
30	8	54D149 - GRAB HANDLE GASKET	-
31	63	345-8531 - 3/8-16NCX1 WHIZLOCK BOLT	-
32	66	198-2970 - 3/8-16NC WHIZLOCK NUT	-
33	4	3P9554 - RUBBER DOOR ROD KEEP GROMMET	-
34	6	FT207 - 3/4" WHITE NYLON HDLE PLUG	-
35	205 in	STICKERTITE - 3/4"Wx1/8"THK BLK SELF ADHESIVE NEOPREME FOAM GSKT	-
36	31	149-2148 - 1/4-20NCx1.00 S.S. BOLT	-
37	5	53C276 - ROOF FOAM SUPPORT	-
38	2	69908 - 3/4" BRASS HEX PLUG	-
39	2	10412-18229 - 3/4" BRASS PIPE ADAPTER	-
40	4	53C246 - STRAP-EXHAUST DUCT	4
41	1	ECHA243 - 3.00" OZ BUSHING - FEMALE END	-
42	1	ECHA13123 - 3.00" OZ BUSHING - MALE END	-
43	2	91465K24 - BARBED FITTING 3/4" PIPE TO 5/8" HOSE	-
44	5	9R8537 - DOOR KEEP SOCKET	-
45	7	9R8538 - DOOR KEEP PLUNGER	-
46	7	T114R - RED MARKER LIGHT	-
47	4	T114A - AMBER MARKER LIGHT	-
48	1	4V9908 - EXTERIOR EMERGENCY STOP BUTTON ASSEMBLY	-
49	72 in	AS-990 - WINDOW GROMMET	-
50	40 in	1220A213 - BLACK DOOR GASKETING	-
51	2	54D151 - FLAP - LOAD DOOR	1
52	8	0184617 - LICENSE PLATE PLASTIC NUT	-
53	5	8T-4971 - M6-30x2.00 S.S. METRIC BOLT	-
54	1	53C275 - CONTROL WINDOW	4
55	5	033-8755 - 1/4-20NCx1.00 S.S. PHILLIPS TRUSS HEAD SCREW	-
56	1	53A316 - LOAD DOOR MOUNTING GROUP	27
57	1	STOP-ROD - EMERGENCY STOP ROD	-
58	85 ft	D-2685 - WHITE 3/8"W SELF ADHESIVE DOOR GASKETING	-
59	1	MBC19 - BATTERY CHARGER	-
60	4	70001 - 1/4-20NCx.50 S.S. BOLT	-
61	4	104-6564 - SHOCK MOUNTS	-
62	5	5C-2890 - M6-30 NUT	-
63	54.5 in	8451A63 - TRIM LOCK	-
64	1	52C176 - CATCH BATTERY DOOR	1
65	30	109-0147 - 1/4-20NC SELF TAPPING SCREWS	-
66	2	70003 - 1/4-20NCx.75 S.S. BOLT	-
67	1	114-8821 - BATTERY SWITCH ON/OFF LABEL	-
68	1	7N0718 - BATTERY SWITCH ASSEMBLY	-
69	2	ECHA1114 - 1.25" OZ BUSHING - MALE END	-
70	2	ECHA24114 - 1.25" OZ BUSHING - FEMALE END	-
71	2	53C277 - RUBBER DUCTING - TOP & SIDE	-
72	1	52E206-01 - ENCLOSURE WIRE HARNESS ASSEMBLY	72
73	2	53C278 - RUBBER DUCTING - BOTTOM	-
74	1	ECHA12 - 2.00" OZ BUSHING - MALE END	-
75	1	ECHA242 - 2.00" OZ BUSHING - FEMALE END	-
76	1	2296868 - RADIATOR COVER	-
77	1	53D250 - SOUND FOAM RETENTION GP.	-
TOTAL WEIGHT			3,275 lbs

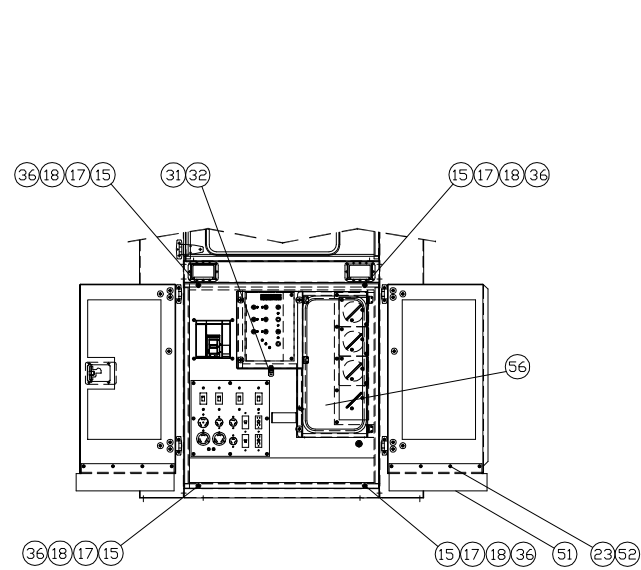
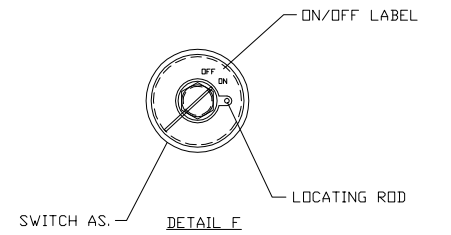
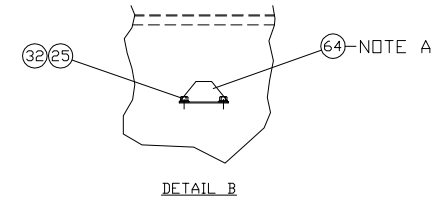
		ALTORFER POWER SYSTEMS 6315 W. FAUBER RD. PHONE (309) 697-1234 BARTONVILLE, IL 61607 FAX (309) 282-7546	
		THIS DOCUMENT CONTAINS PROPRIETARY INFORMATION OF ALTORFER, INC. WITHOUT THE WRITTEN PERMISSION OF ALTORFER, INC., ANY COPYING OR OTHER USE EXCEPT THAT FOR WHICH IT WAS INTENDED IS PROHIBITED	
CHANGE NOTICE ALL DIMENSIONS IN INCHES UNLESS OTHERWISE SPECIFIED TOLERANCES: .XX ± 0.100 ANGLE .XXX ± 0.060 PROJECTION .XXX ± 0.005 ANGULAR ± 1°	FILE DF/53A	PROJECT REFERENCE XQ300RM RENTAL PACKAGE	
	SCALE/SHEET SIZE 1=20/D	DRAWN BY D. RDLING	QUOTE NUMBER
	SHEET 1 OF 2	DATE 05/06/2015	WORK ORDER NUMBER
	TITLE XQ300RM DUAL VOLTAGE STD ENCLOSURE GROUP		DRAWING NUMBER 53A409A-00



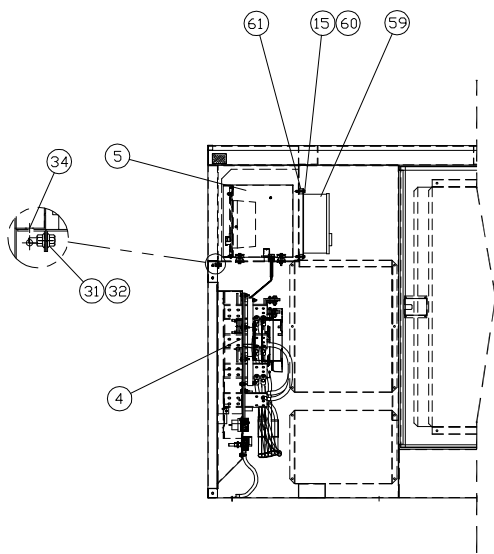
TOP VIEW
SHOWN WITH ROOF AS. REMOVED



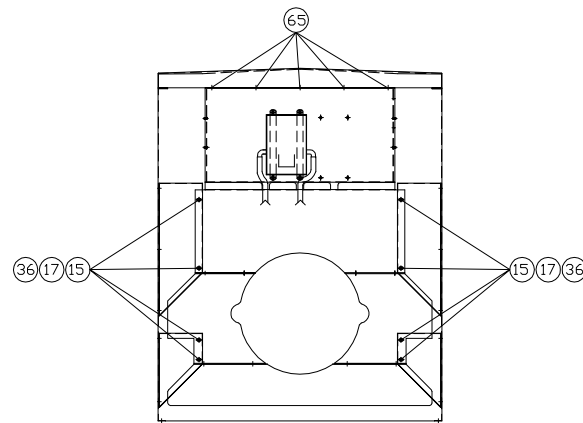
VIEW C-C
TYP. 4 PLACES
SCALE 2:1



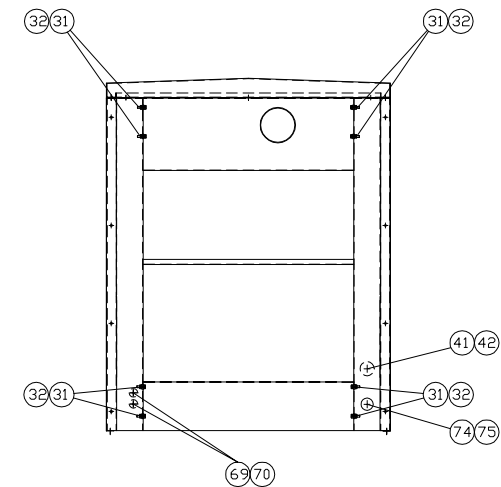
REAR VIEW
WITH LOAD DOORS OPEN



VIEW A-A



VIEW D-D



VIEW E-E

		ALTORFER		ALTORFER POWER SYSTEMS	
		6315 W. FAUBER RD.		PHONE (309) 697-1234	
		BARTONVILLE, IL 61607		FAX (309) 282-7546	
CHANGE NOTICE	DATE BY	THIS DOCUMENT CONTAINS PROPRIETARY INFORMATION OF ALTORFER, INC. WITHOUT THE WRITTEN PERMISSION OF ALTORFER, INC., ANY COPYING OR OTHER USE EXCEPT THAT FOR WHICH IT WAS INTENDED IS PROHIBITED			
	ALL DIMENSIONS IN INCHES UNLESS OTHERWISE SPECIFIED	FILE	PROJECT REFERENCE		
	TOLERANCES: XX ± 0.100 X.XX ± 0.060 X.XXX ± 0.005	THIRD ANGLE PROJECTION	DF/53A	XQ300RM RENTAL PACKAGE	
	ANGULAR ± 1°		SCALE/SHEET SIZE 1=20/D	DRAWN BY BML	QUOTE NUMBER
	TITLE		SHEET 2 OF 2	DATE 05/06/2015	WORK ORDER NUMBER
1	ND	XQ300RM DUAL VOLTAGE STD ENCLOSURE GROUP			DRAWING NUMBER 53A409B-00