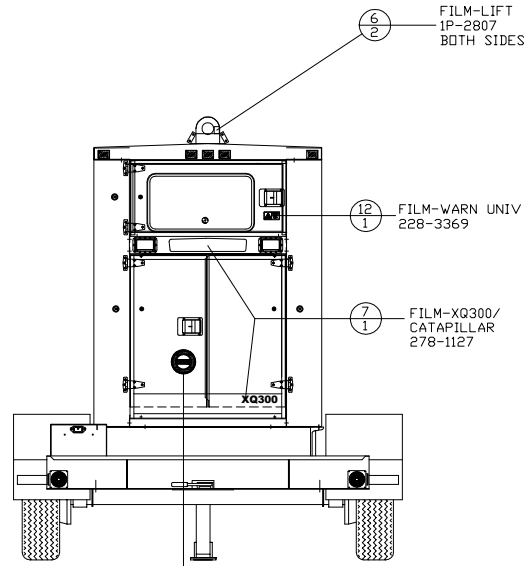


FILM-DANGER 229-5047
 FILM-INFORMATION 159-2444
 FILM-INFORMATION 159-2444



FILM-CERTIFIED FACTORY REBUILD 53G102

FILM-WARN UNIV 228-3369

FILM-WARN AUTO 255-3224 BOTH SIDES

FILM-CAT RENTAL 278-1127 BOTH SIDES

FILM-PARK. BK 229-5047

FILM-WARN CRUSH 225-3232 BOTH SIDES

FILM-LIFTING 278-4086 BOTH SIDES

FILM-SYMBOL 263-4836 BOTH SIDES

FILM-SYMBOL 263-4836 BOTH SIDES

FILM-INFORMATION 144-0876

FILM-PERT
 FILM-QUICKFIT

FILM-INFORMATION 144-0875

FILM-DPR MANUAL 157-2853

FILM-50/60 HZ 285-6408

FILM-GEN FAN 278-2618 BOTH SIDES

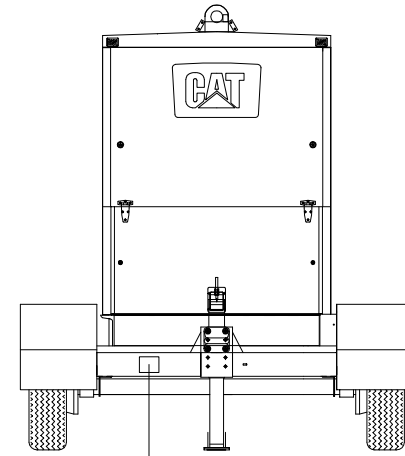
FILM-FUNCTION KEYS 414-0112

FILM-GEN INFO 480V PRIME (ENGLISH) 278-1133

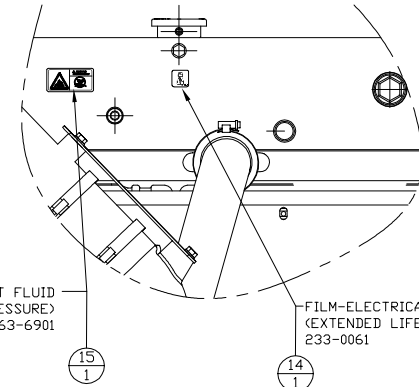
FILM-INFO 144-0840
 FILM-NOTICE 197-5106
 FILM-GROUND 228-4789

FILM-TIE DOWN 4P-6252 BOTH SIDES

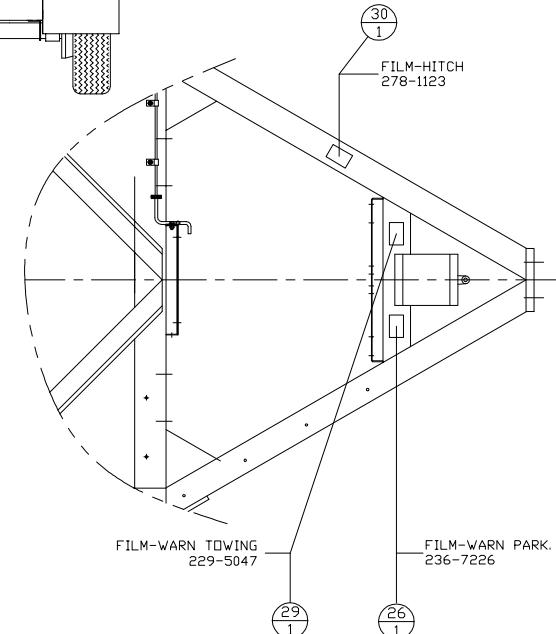
FILM-TIE DOWN 4P-6252 BOTH SIDES



FILM-VIN 309-7660



DETAIL A-A (RADIATOR)
 NOT TO SCALE



DETAIL B-B (TRAILOR HITCH)
 NOT TO SCALE

ITEM	QTY.	PART #	DESCRIPTION
1	1	229-0887	FILM-AIR CLEANER
2	4	4P-6252	FILM-TIE DOWN
3	1	228-4798	FILM-GROUND
4	4	278-1086	FILM-LIFTING
5	4	225-3232	FILM-WARN CRUSH
6	2	1P-2807	FILM-LIFT
7	1	278-1127	FILM-XQ300
8	1	144-0840	FILM-INFO
9	3	229-5047	FILM-DANGER
10	1	225-0313	FILM-WARNING
11	1	197-5106	FILM-NOTICE
12	1	228-3369	FILM-WARN UNIV
13	4	225-3227	FILM-WARN HAND
14	1	233-0061	FILM-ELC
15	1	263-6901	FILM-WARN HOT FLUID
16	1	114-8821	FILM-ELC SW
17	4	159-2444	FILM-INFORMATION
18	2	278-2618	FILM-GEN FAN
19	1	144-0875	FILM-INFORMATION
20	1	144-0876	FILM-INFORMATION
21	4	255-3224	FILM-WARN AUTO
22	1	157-2853	FILM-DPR MANUAL
23	1	285-6408	FILM-50/60 HZ
24	1	142-7543	FILM-INFORMATION
25	1	143-6853	FILM-WARNING
26	1	236-7226	FILM-WARN PARK.
27	1	309-7660	FILM-VIN
28	1	282-4102	FILM-PARK. BK
29	1	278-1101	FILM-WARN TOWING
30	1	278-1123	FILM-HITCH
31	4	263-4836	FILM-SYMBOL
32	1	PRT	FILM-PERT
33	1	QUICKFIT	FILM-QUICKFIT
34	1	53G102	FILM-CERTIFIED FACTRY REBUILD
35	1	442-0112	FILM-FUNCTION KEYS
36	1	278-1133	FILM-GEN INFO 480V PRIME (ENGLISH)
37	1	--	FILM-SERIAL NUMBER

		ALTORFER POWER SYSTEMS 6315 W. FAUBER RD. PHONE (309) 697-1234 BARTONVILLE, IL 61607 FAX (309) 282-7546	
THIS DOCUMENT CONTAINS PROPRIETARY INFORMATION OF ALTORFER, INC. WITHOUT THE WRITTEN PERMISSION OF ALTORFER, INC., ANY COPYING OR OTHER USE EXCEPT THAT FOR WHICH IT WAS INTENDED IS PROHIBITED.			
ALL DIMENSIONS IN INCHES UNLESS OTHERWISE SPECIFIED TOLERANCES: .XX ± 0.100 .XXX ± 0.060 .XXXX ± 0.005 ANGULAR ± 1°	FILE DF\53A SCALE/SHEET SIZE 1=25/D SHEET 1 OF 1	PROJECT REFERENCE XQ300RM RENTAL PACKAGE DRAWN BY B. LAVERY DATE 5/20/15	QUOTE NUMBER - WORK ORDER NUMBER - DRAWING NUMBER 53A412
TITLE XQ300RM FILMS GROUP			